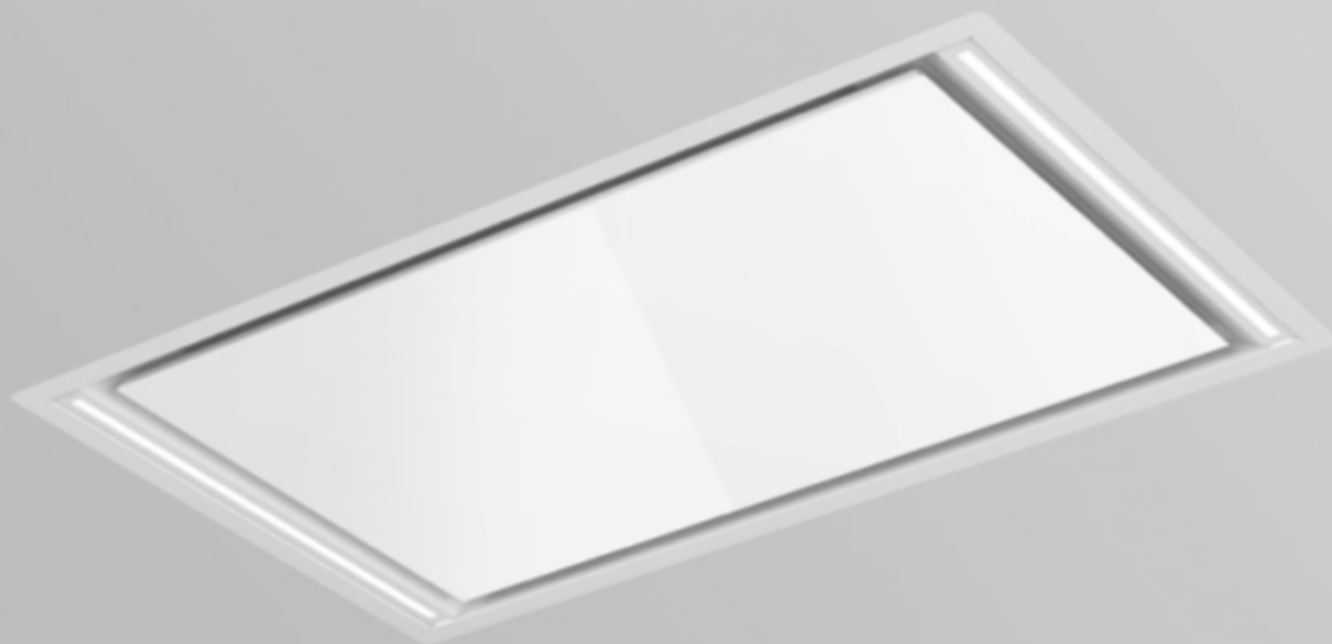




EN – User and installation Manual.

E - 297





The symbol on the product or its packaging indicates that this product cannot be disposed of like normal domestic waste. The product must be handed over at a collection point for recycling electrical and electronic equipment. If you ensure that this product is correctly disposed of, you will help to avoid the possible negative environmental and public health effects that could arise from incorrect disposal. For more detailed information about recycling this product, please contact your city authorities, the domestic waste service or the establishment where you purchased it.

INTRODUCTION

Firstly, we would like to thank you for your confidence in our firm when you chose a Award extractor hood. This manual and its annexes are a guide for the correct installation, usage and maintenance of your new Extractor Hood.

To learn everything about your hood, we recommend you read these instructions carefully from beginning to end and keep them for future reference.


Before starting the installation, read carefully this assembly manual and the attached user manual, where instructions are also given for product's correct installation.

The manufacturer will not be held liable for any possible inaccuracies due to printing or transcription errors in this manual. The manufacturer reserves the right to incorporate modifications considered useful or necessary into the products, which will not alter their essential functional and safety characteristics.

1. SAFETY INSTRUCTIONS

- When the appliance is delivered, unpack it immediately and check that it is in good state by visual examination of the exterior. If any fault or damage is observed, do not install it and inform the dealer or installer immediately.
- This hood has been designed for normal domestic use. **It must not be used for industrial, professional,** or any other use different from what it has been designed for. For commercial usage please refer to warranty card.
- Pando will not be held liable for consequences or damages resulting from incorrect installation or misuse of the appliance.
- Do not try to alter any of the characteristics of this appliance, this could be dangerous and will automatically render the guarantee void.
- To avoid hazards, it is forbidden to manipulate the appliance. If the power cable is damaged it must be replaced by the manufacturer through an authorised technical service. Any repairs that involve manipulating the appliance or its components must only be done by an authorised technical service.
- The LED lamps can not be manipulated by the user as there are risks of electric shock, handling, maintenance or replacement is a task reserved exclusively for official technical assistance service or authorized specialist installer.

1. SAFETY INSTRUCTIONS

- If the hood does not have a power cable with a plug, or other means to disconnect it from the mains with a separation between the poles, and with means to disconnect completely under category III overvoltage conditions, it must be fitted with means to disconnect it from the mains in case of category III overvoltage conditions according to the applicable legislations and regulations.
 - Disconnection from the mains after installation should be accessible for the user. The power plug must be easily accessible or if not, there must be a disconnection switch in compliance with electrical installation regulations.
 - Take special care when perforating walls or ceilings and ensure that there are no hidden electrical cables, pipes, metal beams, etc., as perforating them could cause great damage, short circuits or the transmission of noise and vibrations.
 - **IMPORTANT: Before connecting the appliance to the mains, make sure the current is first turned off (differential or circuit breaker on the general electrical panel of the house).**
 - **WARNING: Always disconnect power to the hood before cleaning or maintenance operations, either by unplugging it or disconnecting with the circuit breaker on the general electrical panel of the house. Never use steam or high pressure devices to clean the hood (electrical safety regulations), see section 8 on cleaning and maintenance**
 - The minimum distance between the surface of the cooktop and the lower edge of the hood must be 65 cm if the **extractor hood** is fitted over gas cooker. If the installation instructions of the gas cooker indicates a greater distance, this must be followed.
 - Hood and conduit installation must comply with regulations on ventilation of closed spaces. More specifically, the exhausted air must not be led through a conduit that is used for exhausting fumes from other appliances using gas or other fuels (central heating installations, etc.).
-  **NB!** When the hood is in operation “in suction” at the same time as a heating system that depends on ambient air (gas, oil, coal boiler, chimney, etc.), take special care to avoid the hood absorbing air needed for combustion, this could cause dangerous accumulations of carbon monoxide in the premises or home, which could be deadly. If the extractor hood is installed together with a combustion appliance such as a boiler, chimney or local heating, the manufacturers of these appliances must be contacted to ensure optimum and risk-free operation.
- Negative pressure in the premises must not exceed 0.04 mbar. This will allow the hood to operate in optimum conditions. To achieve this, it is necessary to have a permanent entry of fresh air to avoid air stagnation, it is recommended to have a ventilation grille for this purpose. Doors and windows are not enough.
 - Electrical power supply must be stable and meet the electrical requirements of the appliance (see the nameplate of the appliance). If the power supply is unstable, with variations in voltage, current, surges and cuts, electrical storms, etc., the hood could malfunction and even be damaged, in which case repairs will not be covered by the guarantee. If any of these things happen, disconnect the hood and contact an electrician or your electrical company to solve the problem.
 - Improper and unauthorised handling of the hood, as well as modifying, cutting or perforating the body, structure, motor or wiring of the hood are expressly forbidden. In case of any of the above, the guarantee will be automatically void and the manufacturer will not be held liable for any possible harm or damages.
 - The hood is an electrical appliance for fume extraction and must not be used as a support for objects or utensils.

2. RECOMMENDATIONS TO BEAR IN MIND BEFORE INSTALLATION.

- If the hood is to be used at the same time as gas fuelled or other fuelled appliances (not applicable to appliances exclusively designed to blow air into the room) the room must be properly ventilated.
- Regulations regarding air evacuation must be complied with.
- With the aim of constantly improving our products, we reserve the right to modify their functional characteristics or their appearance.

Installation should only be carried out by qualified professionals, professional installers or the official technical service. The manual or installation guide must be read with care before starting the installation process.

When opening the packaging, check that all the components are in perfect state and all the accessories are present. If this is not the case, contact the dealer and do not install. **Once installed, any damage to the exterior such as scratches, dents, stains, etc. will not be covered by the guarantee.**



VERY IMPORTANT!



DO NOT REMOVE THE PROTECTIVE PLASTIC FROM THE HOOD UNTIL IT IS COMPLETELY INSTALLED, IF THIS PLASTIC IS NOT PRESENT IN AREAS THAT COULD HAVE A RISK OF DAMAGE DURING INSTALLATION, IT IS RECOMMENDED TO APPLY PROTECTIVE MATERIALS AGAINST IMPACT, SCRATCHES AND CONTACT WITH CORROSIVE AGENTS.

TAKE ESPECIAL CARE DURING THE INSTALLATION IF OTHER WORK IS ALSO IN PROGRESS, BECAUSE PAINT, SILICON, PLASTER AND OTHER MATERIALS COULD CONTAIN CORROSIVE CHEMICALS THAT MAY DAMAGE THE PRODUCT, IN THESE CASES IT IS RECOMMENDED TO ADEQUATELY PROTECT THE HOOD, BY FOR EXAMPLE, HERMETICALLY COVERING AREAS THAT COULD BE AFFECTED WITH PLASTIC.

THIS WILL AVOID DAMAGE TO THE OUTSIDE OF THE APPLIANCE, SOMETHING THAT WILL NOT BE COVERED BY THE GUARANTEE.

EN - Features and recommendations for ceiling-mounted hoods.

QUALITY ASSURANCE:

In order to ensure that your project does not come up against any unexpected difficulties, to ensure the product works successfully.

FORM OF THE CEILING:

The “ideal” ceiling to install these hood units must be completely unobstructed and flat over all of its surface. If for design reasons you choose to have different heights or steps in the ceiling, it must be ensured that the suction losses (you must send us a plan to determine whether the surrounding ceiling is suitable).

CEILING HEIGHT:

The recommended distance between the floor and the hood is a maximum of 2.50 m in order to maintain rated performance. For greater heights consult our Technical Division.

POSITION OF THE HOOD:

The hood must be centred over the cooking area.

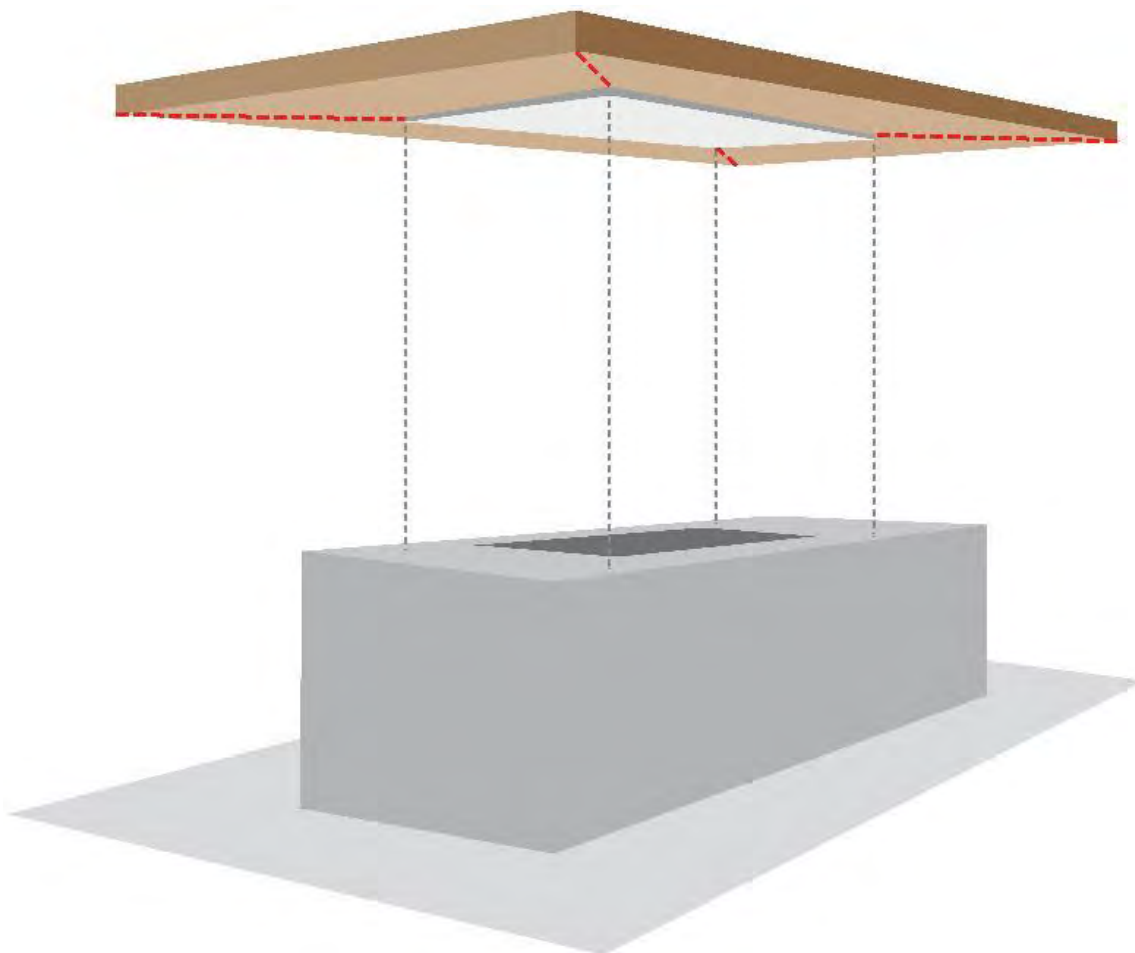
AIR INTAKE GRILLE:

To ensure optimum suction by the hood it is essential that the kitchen has a constant inward flow of air; a ventilation grille at floor level is the perfect solution for this.

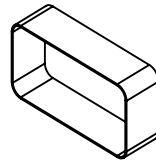
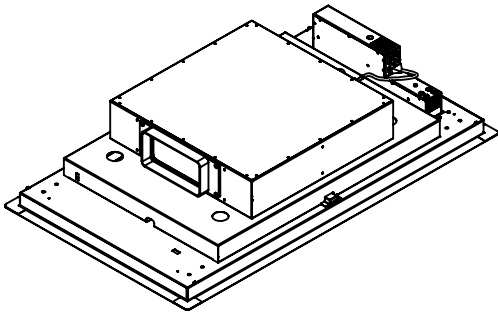
INSTALLING THE FLUE PIPE:

We strongly recommend that you use S.E.C. System[®] fume extractor flue pipes from Award, as these considerably improve convenience in use and the soundproofing of the unit.

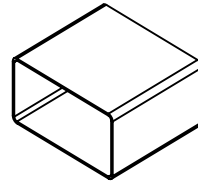
INCLUDED: All units with V.2450 Exterior and V.2350 Roof motors come with 5 m of S.E.C. System[®] fume extractor flue with interior Ø 203 mm and exterior Ø 253 mm as standard.



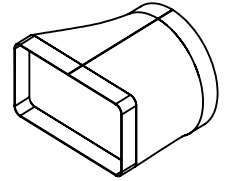
CONTENT



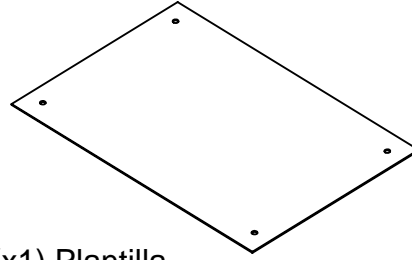
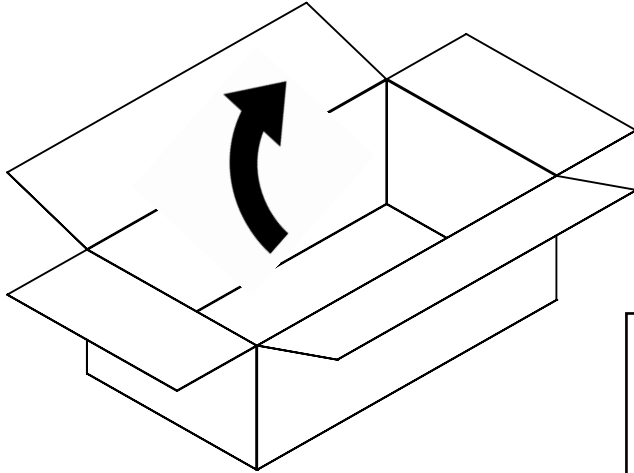
A(x1)



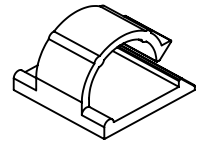
B(x1)



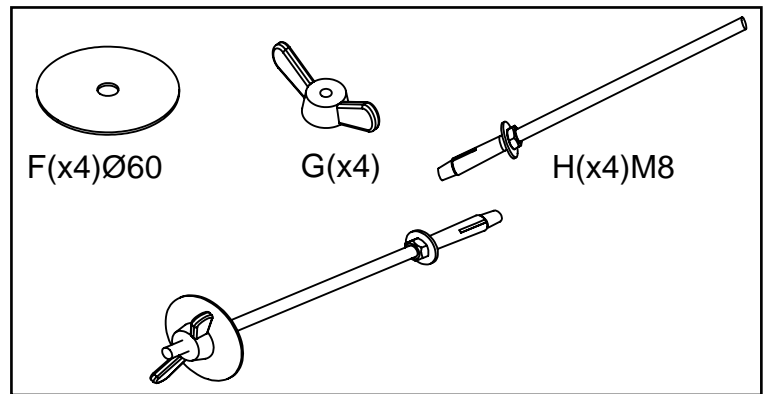
C(x1)



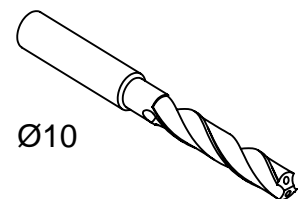
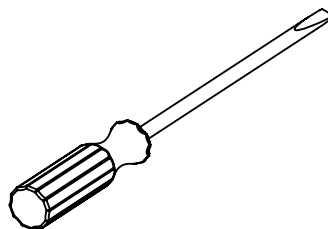
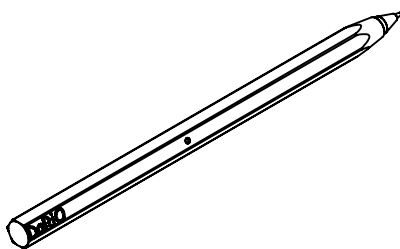
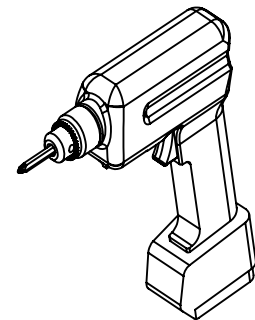
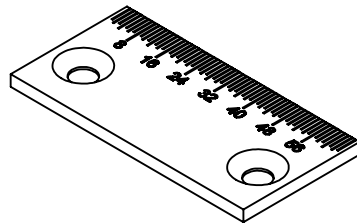
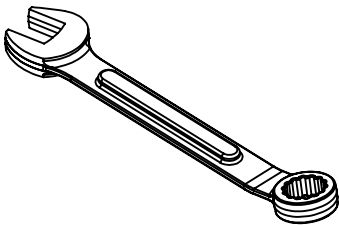
D(x1) Plantilla



E(x2)

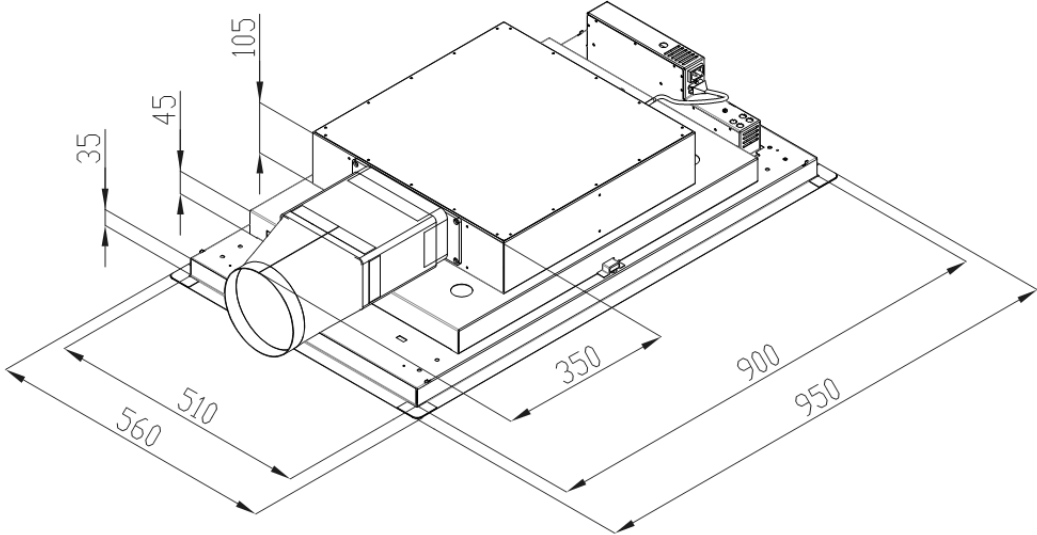


TOOLS NEED

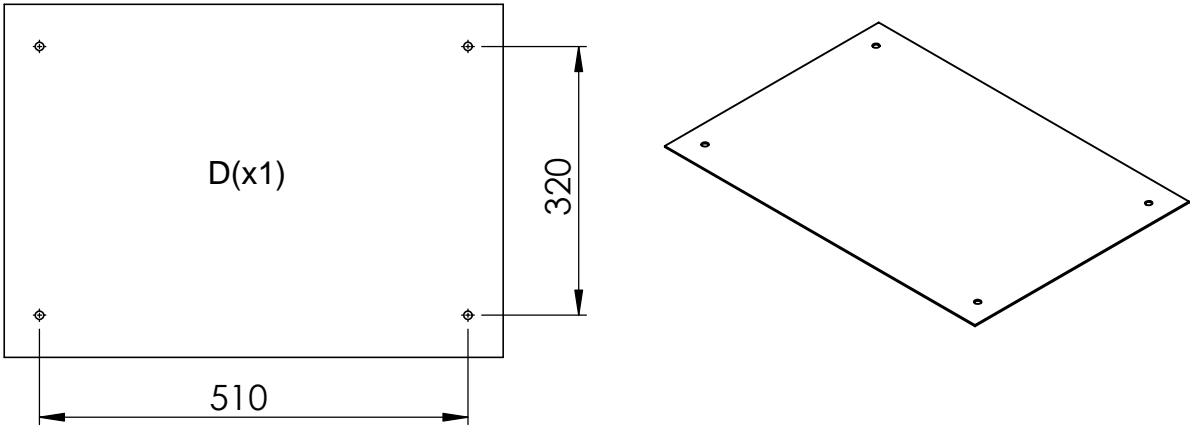


Ø10

DIMENSIONS

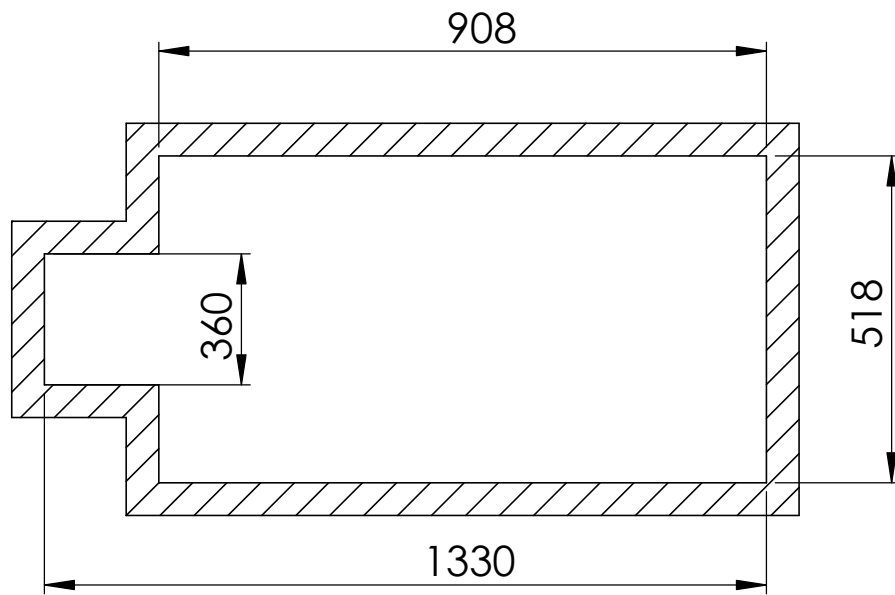
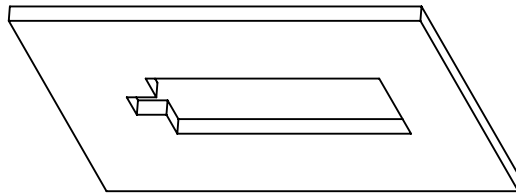


DIMENSIONS TEMPLATE

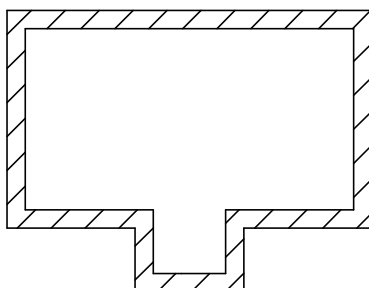
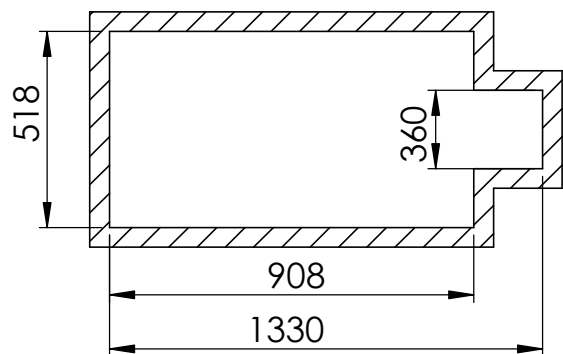
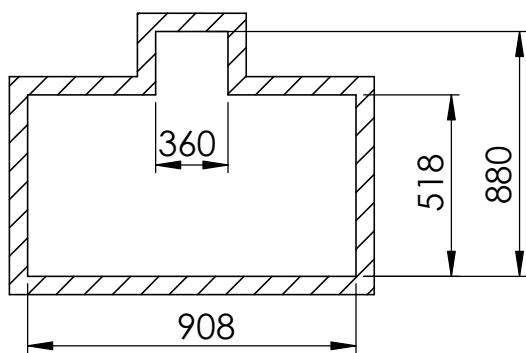


DIMENSIONS

INSERT SERIES

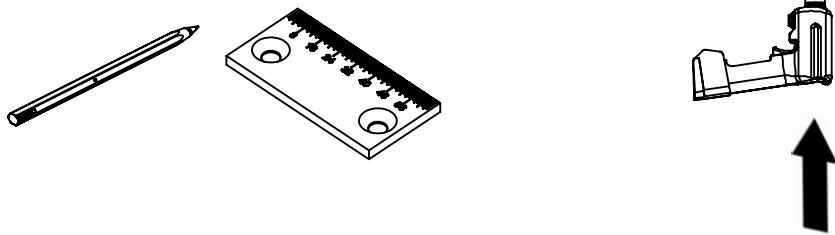
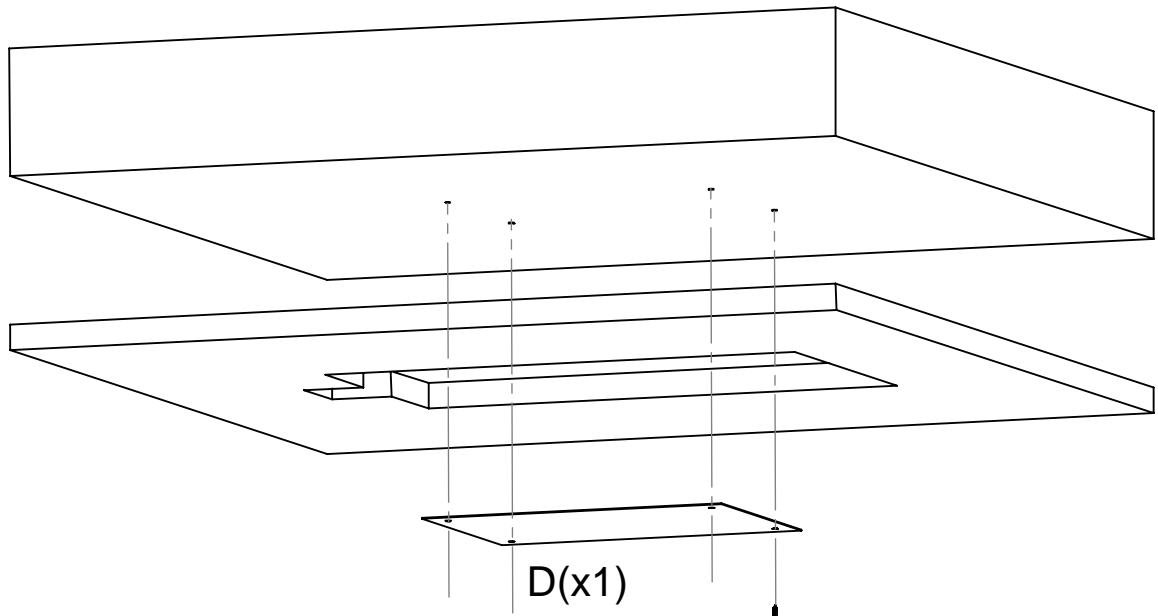


OPTIONAL INSERT

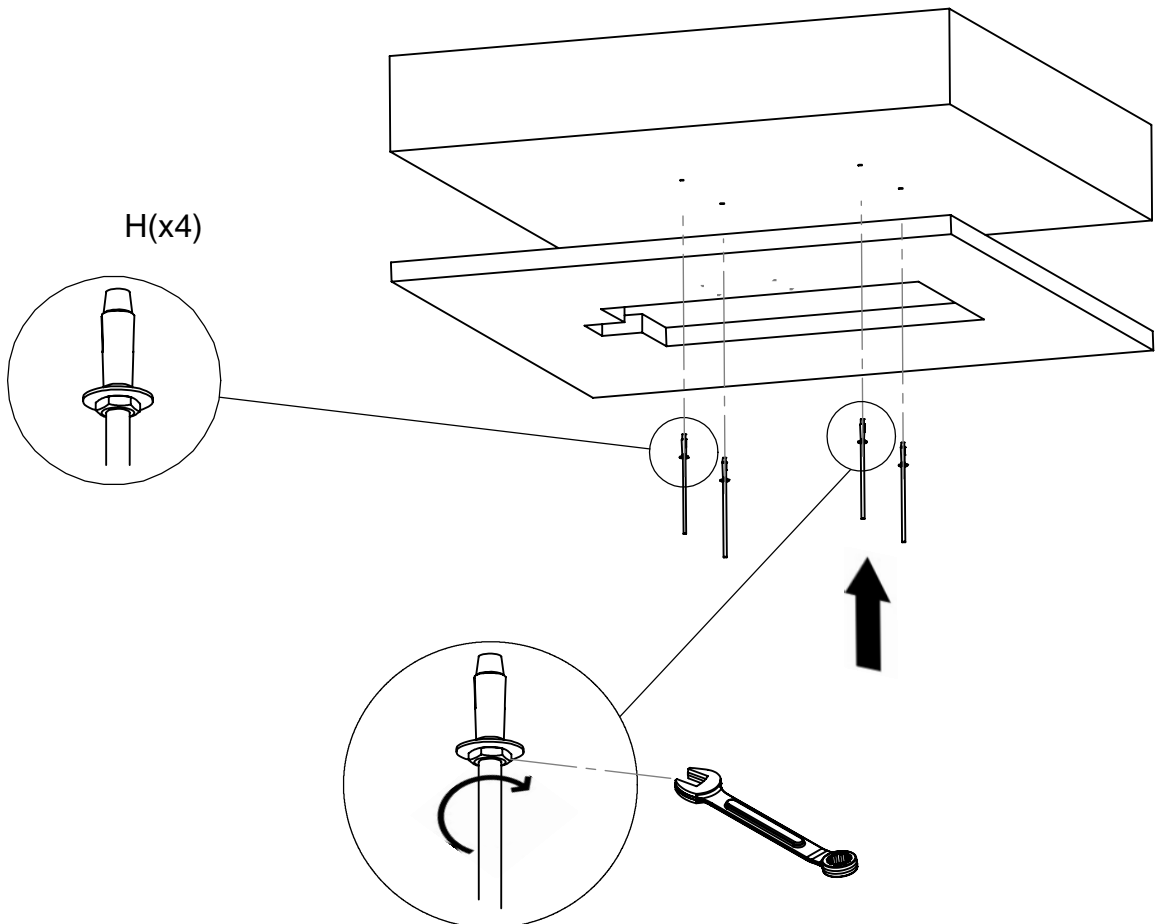


INSTALLATION

1

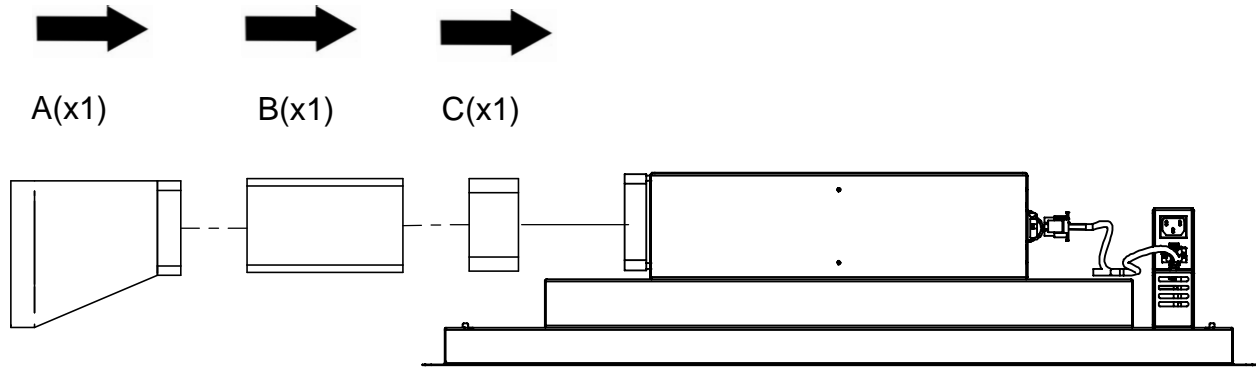


2

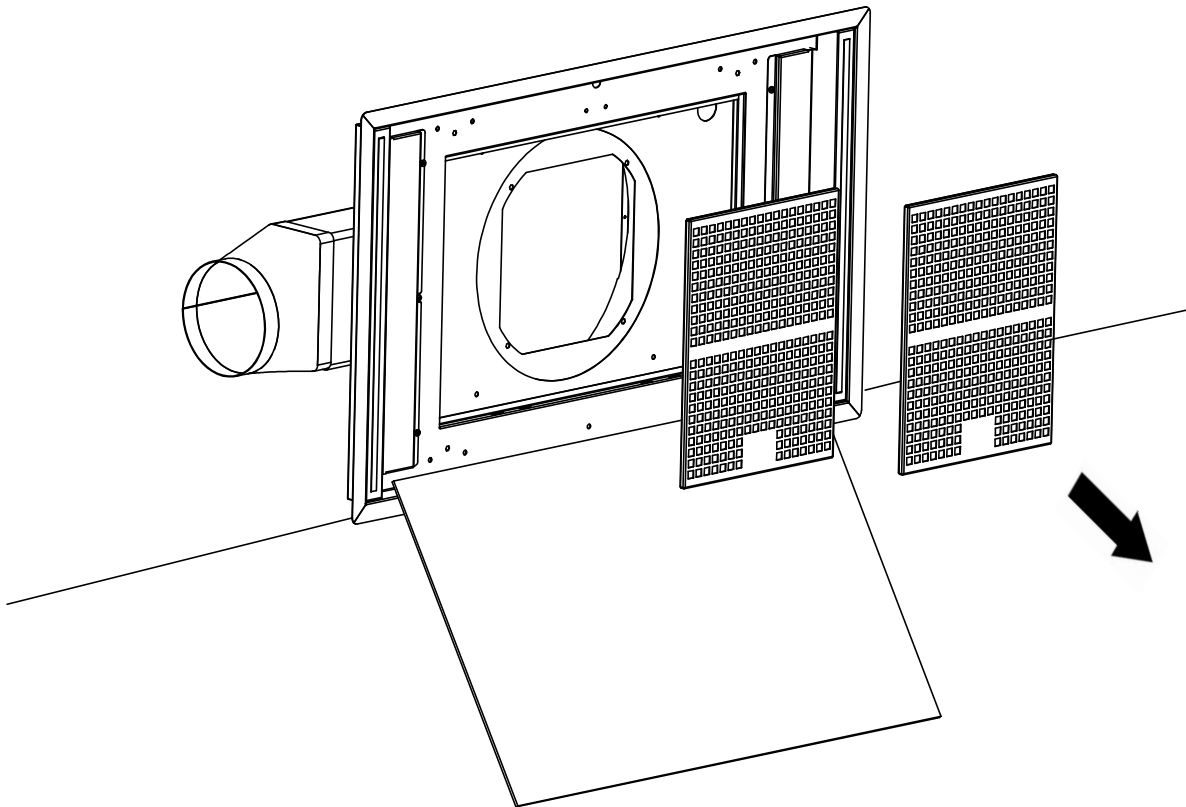


INSTALLATION

3

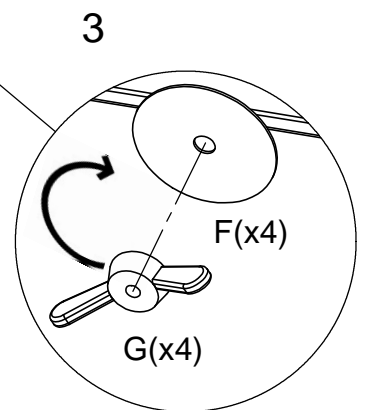
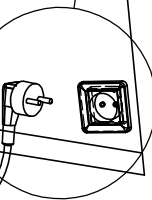
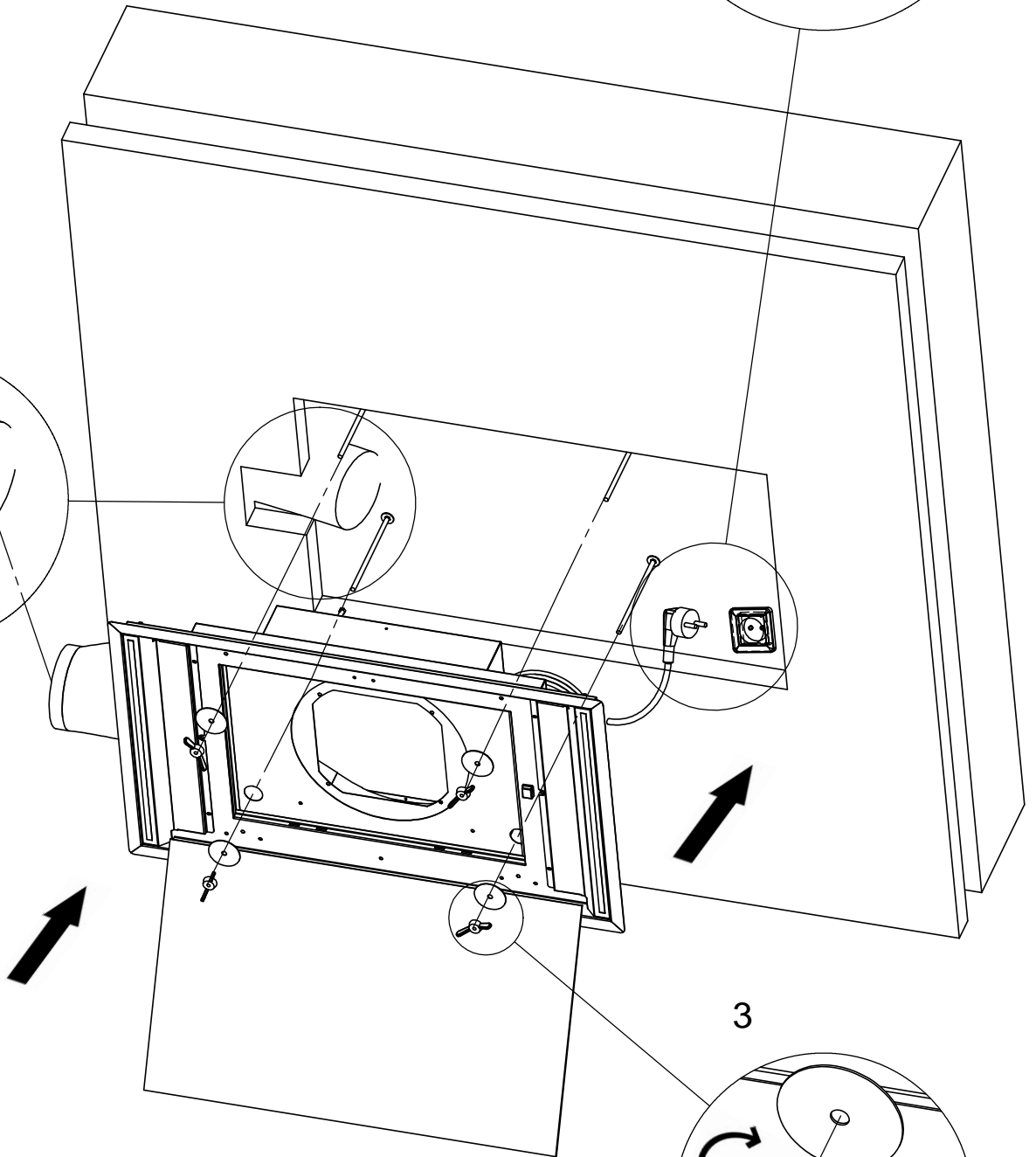
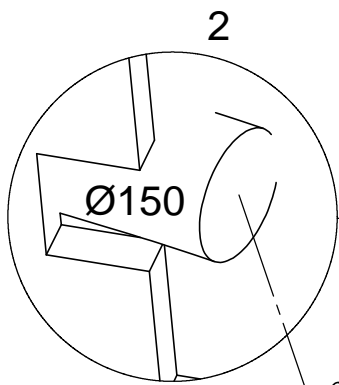
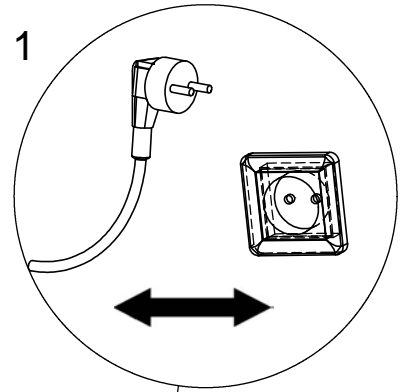


4



INSTALLATION

5

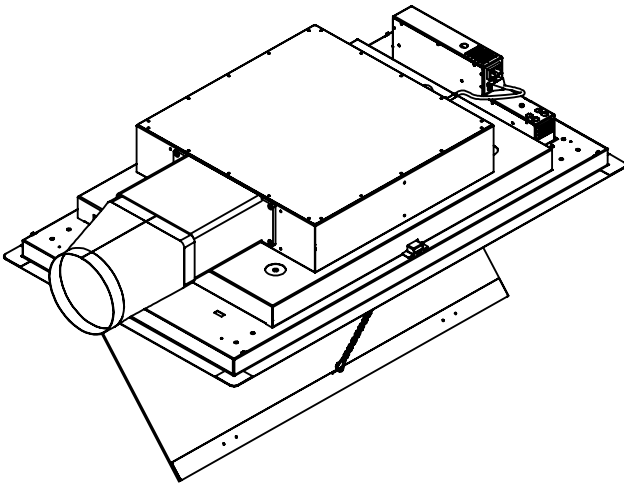


INSTALLATION

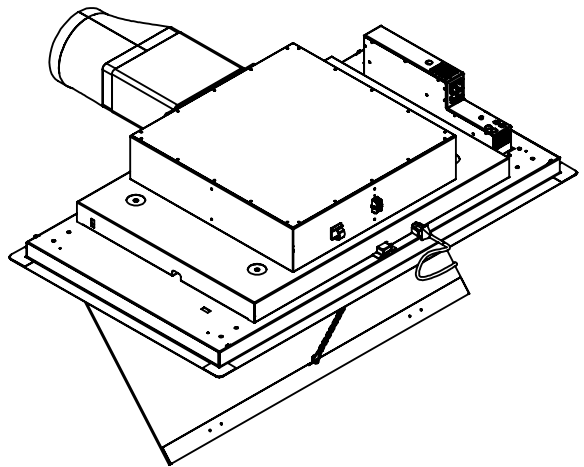
6

ENGINE OUTPUT OPTIONS

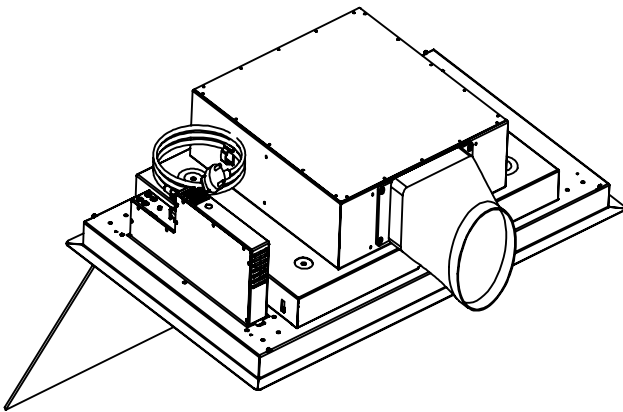
SERIAL OUTPUT



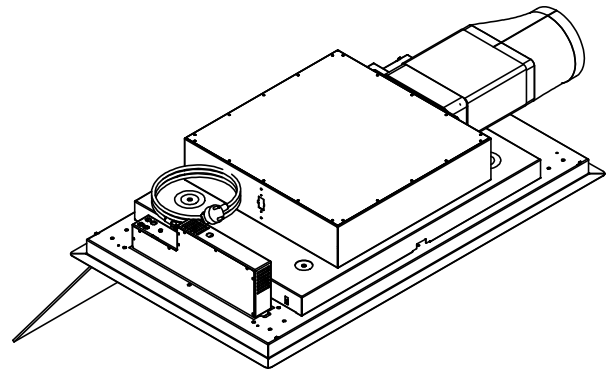
OPTIONAL OUTPUT, ROTATE ENGINE PROTECTION



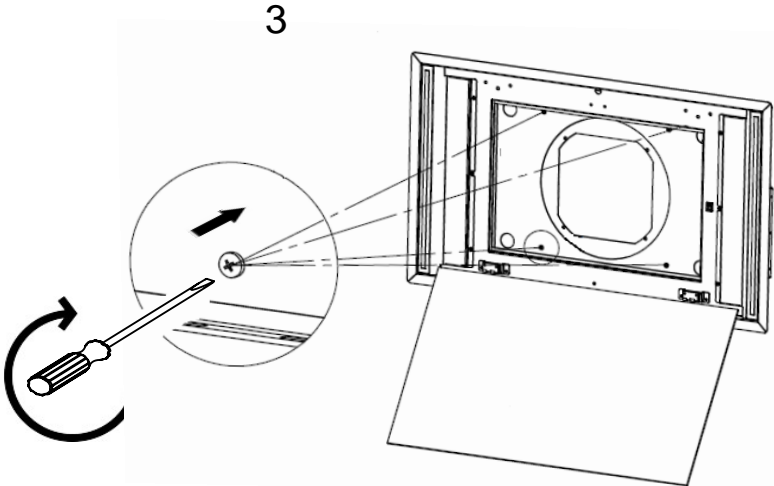
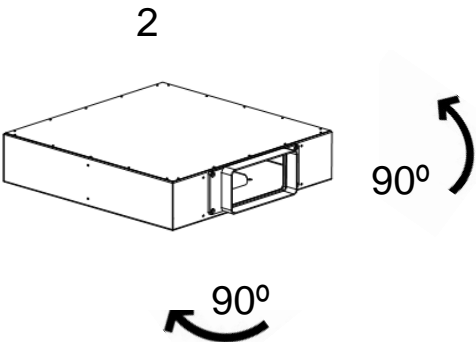
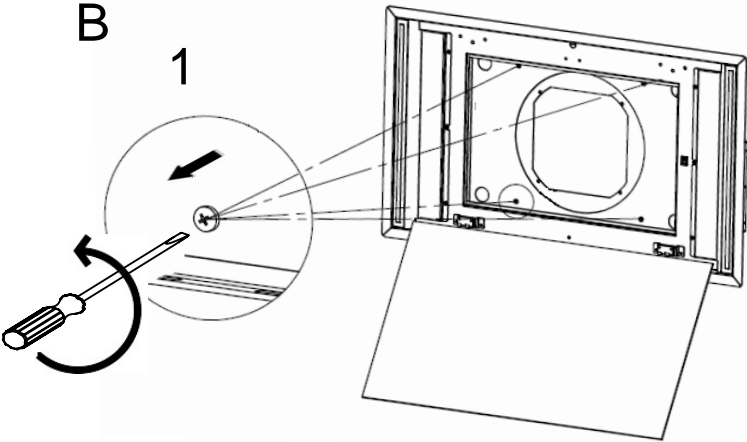
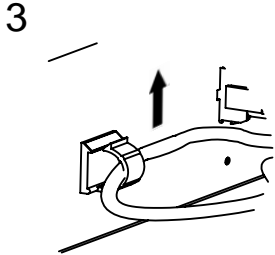
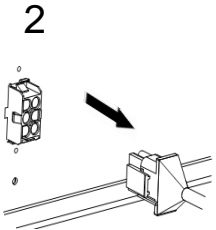
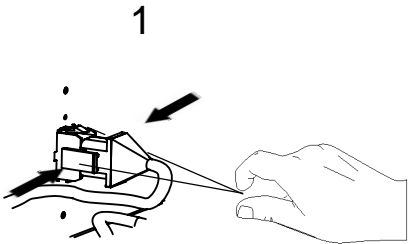
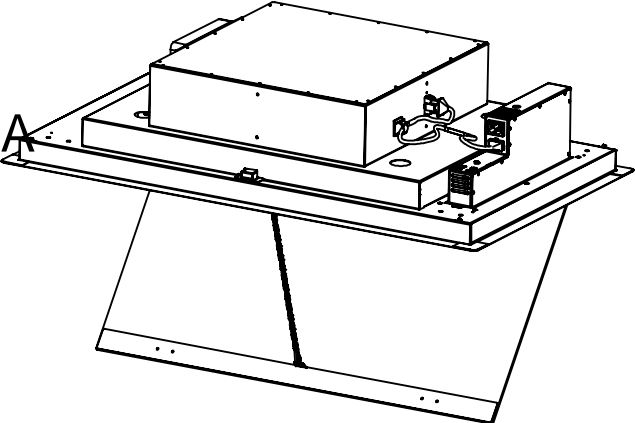
OPTIONAL OUTPUT, ROTATE ENGINE PROTECTION AND DOOR



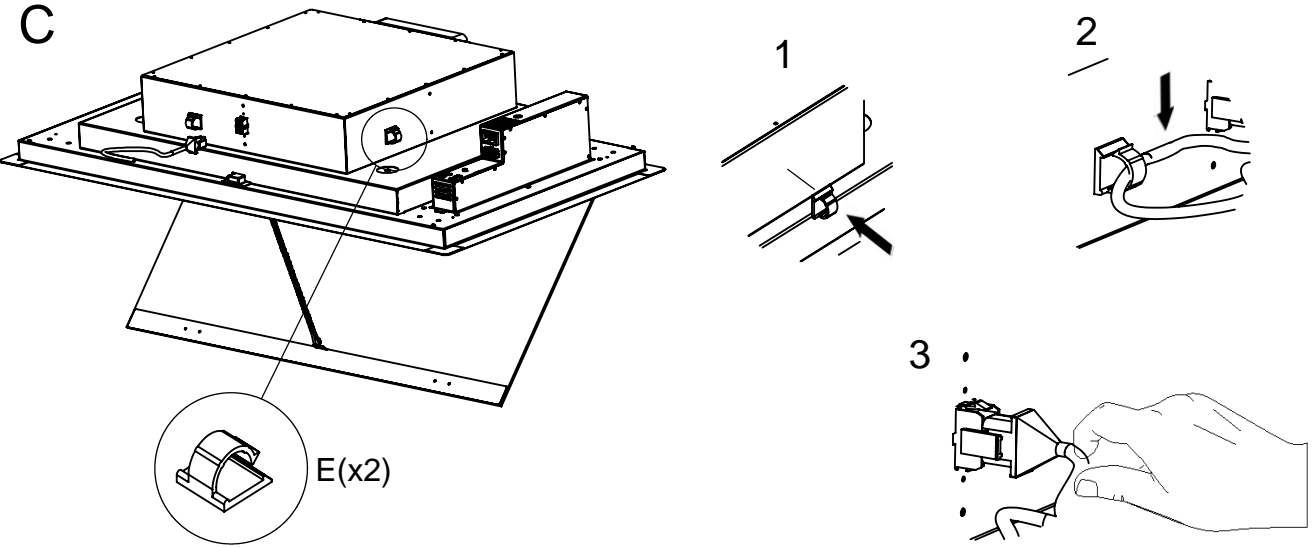
OPTIONAL OUTPUT, ROTATE DOOR



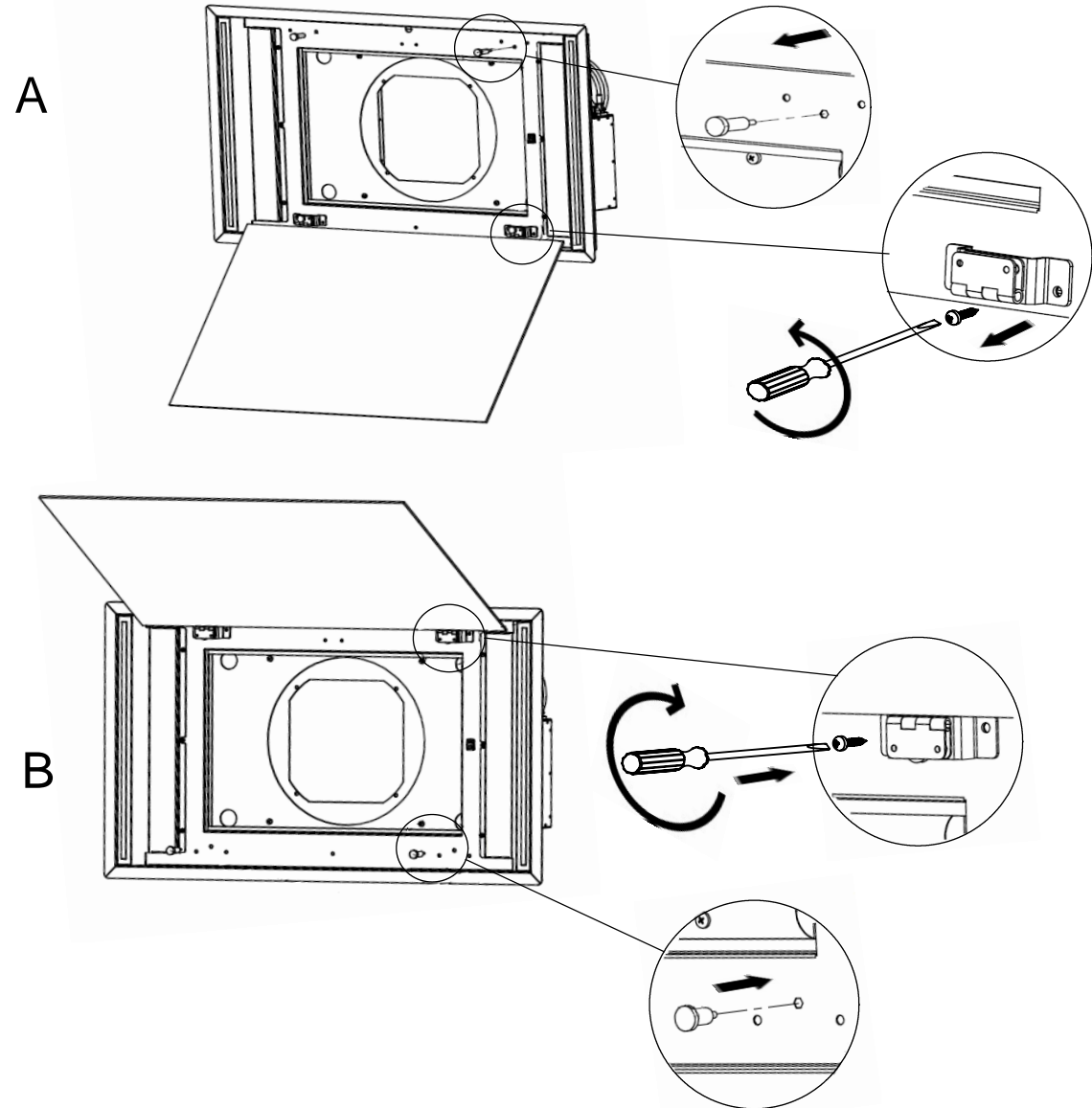
ROTATION PROTECTION ENGINE



ROTATION PROTECTION ENGINE

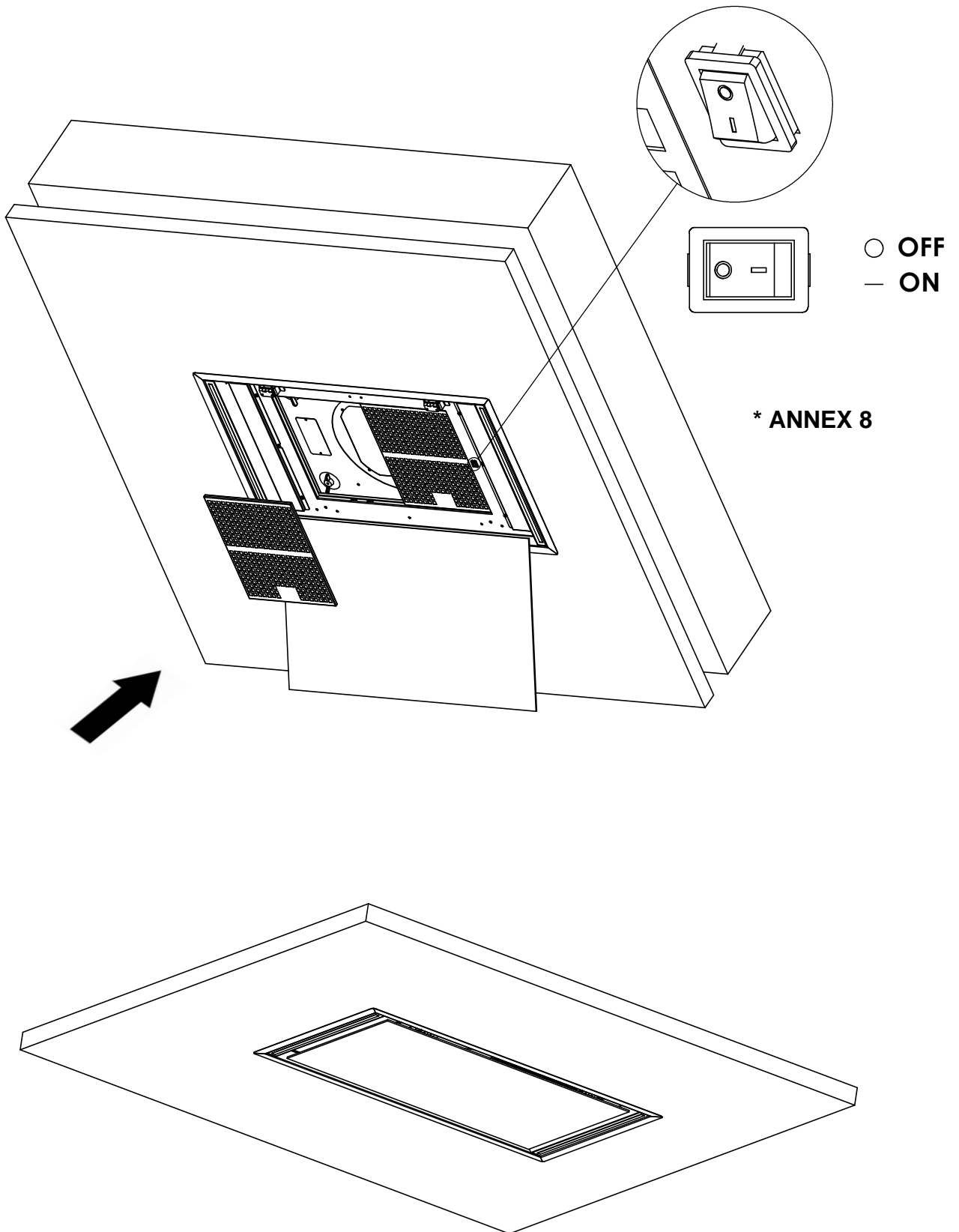


DOOR ROTATION



INSTALLATION

7





ANNEX 8

EN - THE FIRST IGNITION AND PUTTING IN MARCH / SYNCHRONIZATION REMOTE CONTROL

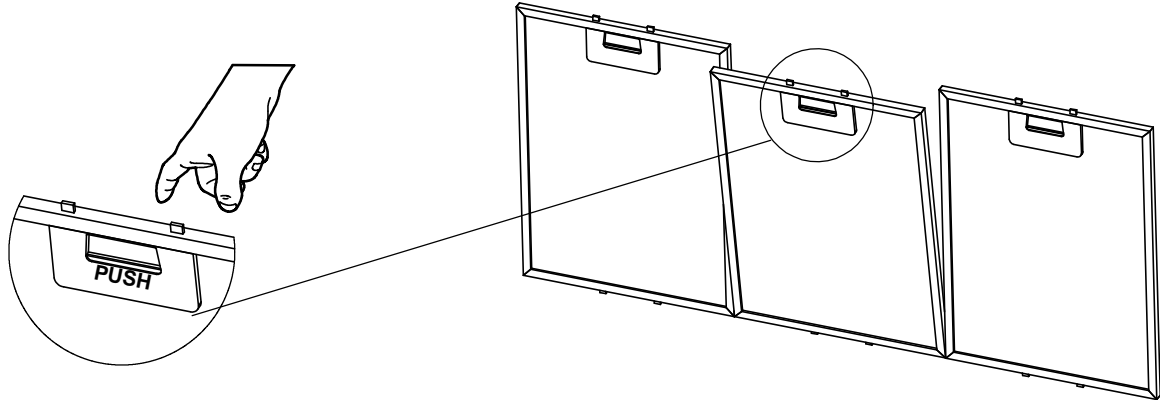
When the hood is installed and the electrical connections have been completed, it is necessary to start the hood and synchronize the remote control.

- 1º. Disconnect the power supply with switch, OFF.
- 2º. Reconnect the power supply to the hood with switch, ON.
- 3º. **IMPORTANT:** When the hood has been reconnected to the mains supply, **before 20 seconds** have passed **press the * LIGHT key** with the remote control pointing to the hood.
- 4º. The hood will light up, indicating that the process was correct, the transmission code of remote control was registered by the electronic unit of the hood. The hood is synchronized.

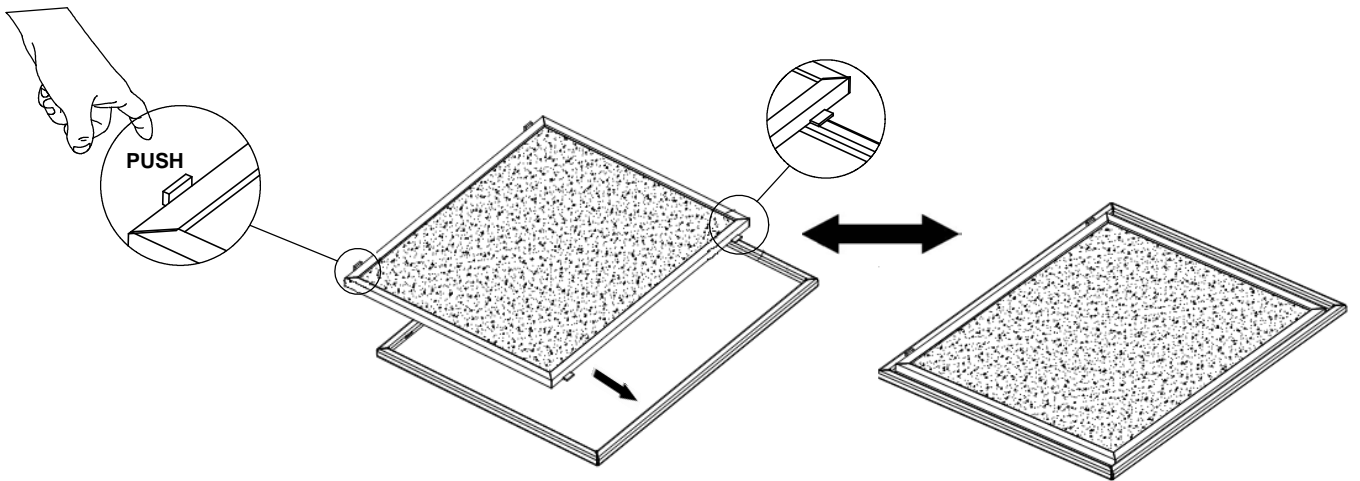
MAINTENANCE

9

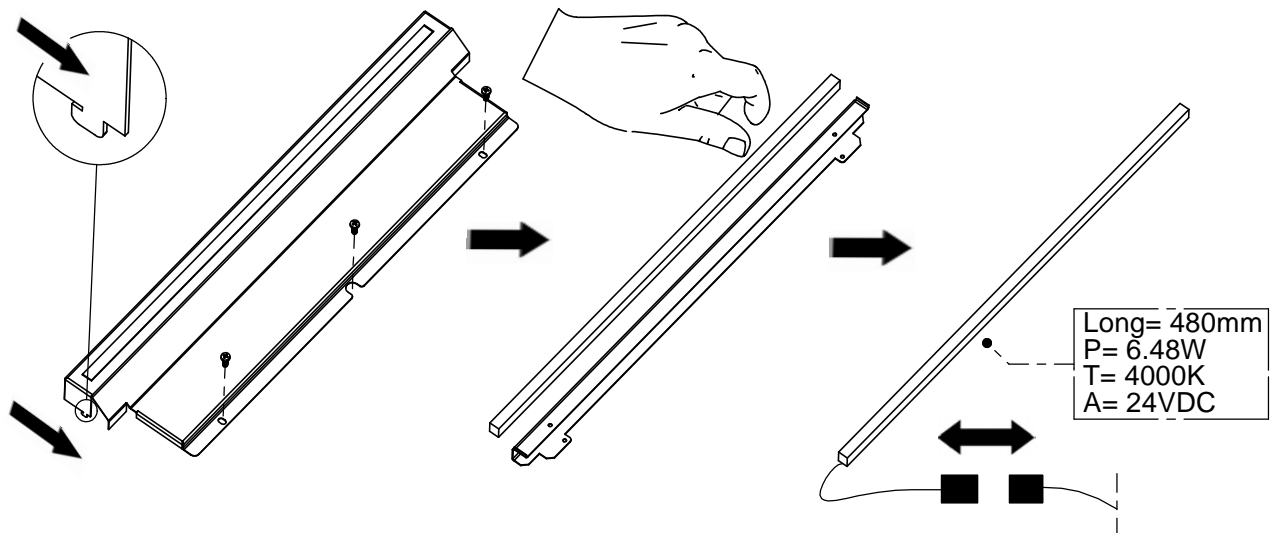
ALUMINIUM FILTER



ACTIVATED CARBON FILTER (FCLR), WASHABLE AND RETRIGGERABLE. (OPTIONAL)



LED LIGHTING AND FEATURES





Award Appliances (NZ) Limited

E-mail: sales@award.co.nz

www.awardappliances.co.nz