





## Safety

---

The appliance is not to be used by persons (including children) who are not adequately able to use the appliance safely. Children shall not play with the equipment. The cleaning and **maintenance** are at user's expense and shall not be performed by unsupervised children.

- As soon as the equipment is delivered, remove the packaging immediately.
- Should any type of anomaly be found, immediately contact the seller or an authorized Award service agent.
- This equipment is intended for domestic use only.
- The warranty does not cover damages caused by an improper installation or a misuse of the equipment.
- Do not attempt to modify this equipment. All repairs should be carried out by an **Award authorized** technician. To avoid risks, any alteration of the equipment is strictly forbidden so is the replacement of the power cable.
- **When installing the range hood it needs to be installed no less than 650mm above the heat source. If the instructions for installation for hob specify a greater distance, this has to be taken into account.**
- Installation of hood has to be such that the unit can easily be isolated from the power supply by way of isolating switch or plug. If
- the power cord is damaged, it should be replaced by a qualified person in order to avoid risks.
- When installing the unit it is important to ensure all penetrations are free from obstretical and hazard. Such as electrical cables, pipes and beams as these may cause serious harm or transmission of noise and vibration.
- **IMPORTANT: When installing always ensure the power is disconnected at the mains board prior to connecting.**
- **WARNINGS: Always disconnect Hood from power source prior to commencing cleaning or maintenance. When cleaning the hood never use steam or high-pressure devices.**
- It is forbidden to cook directly on the flame or operate a gas stoves with without a cooking container on the flame (aspirated flames may damage



## WARNINGS

- the equipment and the warranty will be cancelled accordingly). The use of the equipment on a fuel stove is not authorized (wood, coal,...).
- Frying under the equipment shall be constantly monitored since oils and fats being subjected to high temperatures may ignite. Do not flame under the hood.
  - CAUTION: accessible parts may become hot when used with cooking appliances.
  - Follow the cleaning frequency and filter substitution. The accrual of fat deposits may provoke fires. Never use the hood without the anti-fat filter.
  - The equipment shall be installed in accordances with the existing rules on the ventilation of closed spaces. Technically, the air expelled shall not pass through the duct used for the discharge of smokes from appliances using gas or any other fuel (central heating systems, etc...).
  - Ventilate the environment appropriately in case of a simultaneous operation of the hood and any other equipment supplied by an energy source other than electricity so that the hood will not draw gas compounds.
  - **Attention!** There shall be adequate ventilation of the room when the hood is used at the same time as appliances burning gas or other fuels (not applicable to appliances that only discharge the air back into the room).
  - It is necessary to maintain a depressurized environment of maximum 4 Pa (0.04 mbar). Such conditions allow the hood to preform affectively. In order to achieve such environment **a permanent air intake is necessary** in order to avoid air stagnation (it is advised to use a **ventilation grid** for this purpose). Windows or doors shall not be used.
  - The electrical supply of the power network shall be stable and cope with the indicated electrical standards, see rating label. Should it be not stable and receive voltage variations in the supply, intensity or frequency such as armonici, transistor, voltage dips, overloads, electrical storms, etc..., the hood may show malfunctions or even breakdowns, and the repair would not be covered by the warranty. In that case, the hood shall be disconnected and the supply company contacted to solve the supply problem.



## WARNINGS

- The hood is a household appliance to extract smoke, it can not be used as support for objects or utensils.
- In the constant effort to to improve our products, we reserve the right to make enhancement to their technical, functional and aesthetic characteristics.

## Declaration of Conformity CE

---

This appliance is in compliance with the following European Directives:

- Directive EMC 2014/30/EU
- Directive LVD 2014/35/EU
- Directive ROHS 2011/65/EU
- Delegated Regulation ( UE ) nr. 65/2014

## Electrical Connection

---

- Before connecting the appliance to the electricity supply, check that the voltage corresponds to that on the data plate and that the power supply cable is suitable for the appliance load also stated on the data plate.
- If the appliance is connected directly to the mains, fit an all-pole disconnect switch with minimum contact gap of 3 mm, adequate for the appliance load and complying to regulations.
- The plug used must support the maximum power load of the appliance.

**- Do not use reducers, adapters or switches for connection to the mains, since these could overheat and cause burns**

**- Earth connection is required by law**

*If the power cable must be replaced, use a cable having identical characteristics to the original supplied by the manufacturer, suitable for the load and temperature. This is available from an Award authorized service agent.*



## WARNINGS

### **Important!**

***The entire installation process is exclusively reserved for qualified workers, installers or authorized technical service.***

Before proceeding with the installation, make sure that all components are in perfect conditions. Otherwise, contact the vendor and do not proceed with the installation.

Once installed, imperfections of the equipment such as scratches, impacts, etc..., will not be covered by under warranty.

## Maintenance

---

- Use only a damp doth with neutral liquid detergent.
- Do not use wet sponges or cloths, water jets, thinners, solvents, hydrochloric acid, bleach, alcohol or abrasive substances.
- Unplug the appliance or switch off the circuit breaker before carrying out maintenance operations.

## Scrapping

---



The symbol on the product or on the accompanying paperwork indicates that the appliance should not be treated as domestic waste, but should be delivered to a suitable electric and electronic appliance recycling collection point.

Follow local guidelines when disposing of waste. For more information on the treatment, re-use and recycling of this product, please contact your local authority, domestic waste collection service or the shop where the appliance was purchased.

### **PLEASE NOTE**

DO NOT REMOVE THE PROTECTIVE PLASTIC SHEET FROM THE HOOD UNTIL  
THE INSTALLATION IS NOT COMPLETELY FINALIZED










### Procedure for fixing

---

- Dimensional Drawings 
- Follow the directions of the template for drilling 
- Fix the hood as shown in the scheme 

### Connecting and fitting

---

Before connecting the appliance, check the household installation.  
**Appliance with prefitted power cable:** The power cable must only be replaced by a qualified person.

**Installing:** Do not trap the power cable and do not route it over sharp edges. If the oven is a built-under type, route the cable on the rear corners of the oven to the socket.

### Electrical Connection

---

Connect the device to the mains and check the operation:






- voltage, see the rating plate





## TCN Commands



	Press: Motor ON at first speed. Hold: Motor OFF.
	Press: Motor at second speed.
	Press: Motor at third speed. Hold: intensive speed for 7 minutes (at the end of this time, the system will return to the speed set previously).
	Press this button to set up the timer. After 5 minutes the hood will switch off automatically (motor and lighting). When the timer is activated the LED flashes. The timer can not be activated for intensive speed.
	Press This button to switch on/off the light.

## Maintenance functions

- **CLEAN AIR:** o preserve air quality --> push Timer button for 3 seconds with hood off. The hood turns on at first speed for 10 minutes per hour. Push any button to disable the function.
- **FILTER SATURATION ALARM:** light button LED flashes every 30 hours of hood operation: the anti-grease filter shall be cleaned. To reset the hood when it is off push light button for 3 seconds.  
On/off button LED flashes every 120 hours of hood operation: the anti-odor filter shall be replaced (filter version). To reset the hood when it is off push light button for 3 seconds.

## LED Replacement



- Disconnect the connector and replace the part



## Filters Replacement

---



- **A. ACTIVATED CARBON FILTERS** (Only filtering types):
  - 1. Regenerable: it must be replaced at least every two months. For this, you must place it in an oven at 200 ° C for 1 hour.
  - 2. Not regenerable: this filter assembly must be replaced at least every two months.
- **B. METALLIC ANTI-GREASE FILTERS:**
  - The filters must be washed at least once a month with hot water and detergent.
  - It can also be washed in the dishwasher.
  - Open by the handle.

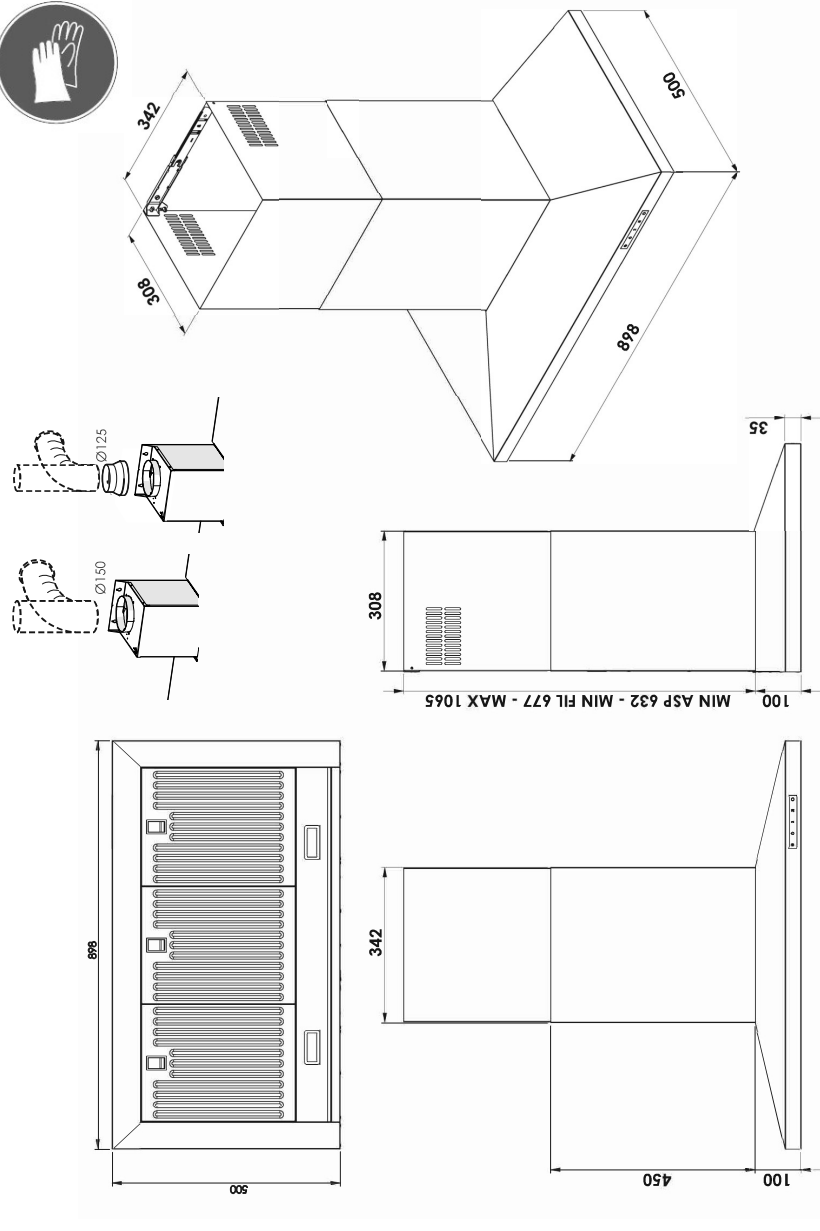
## Maintenance

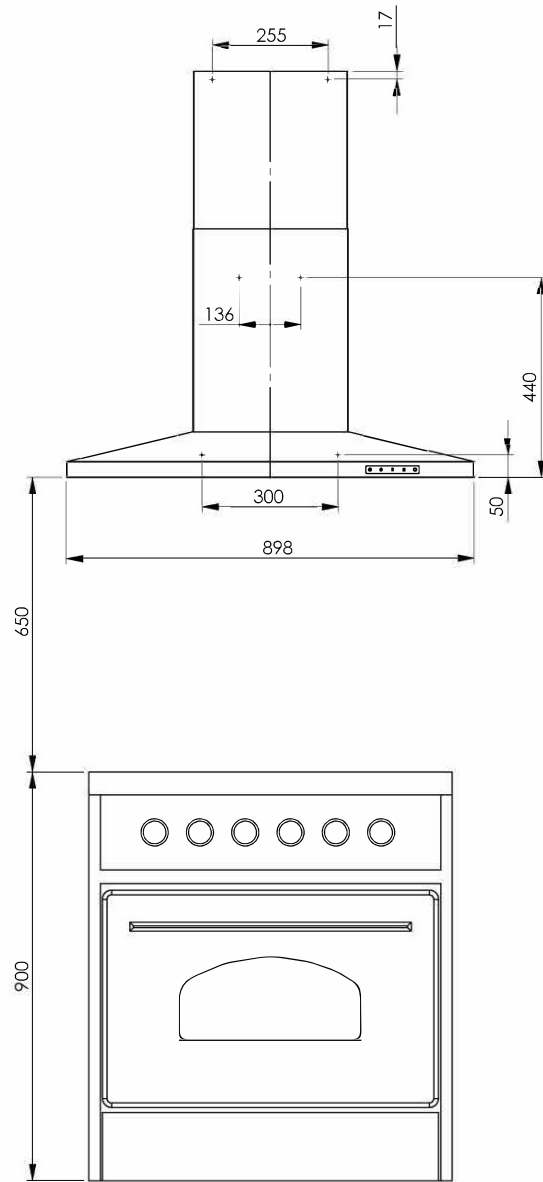
---

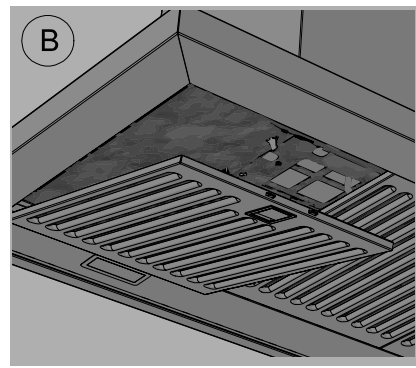
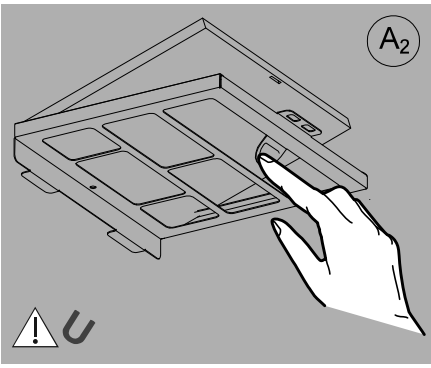
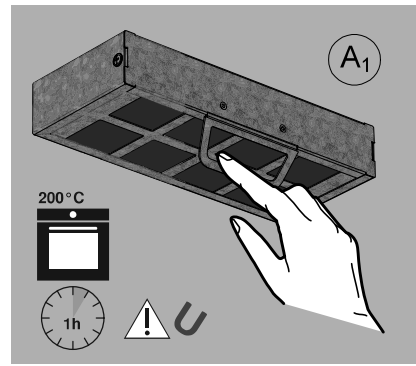
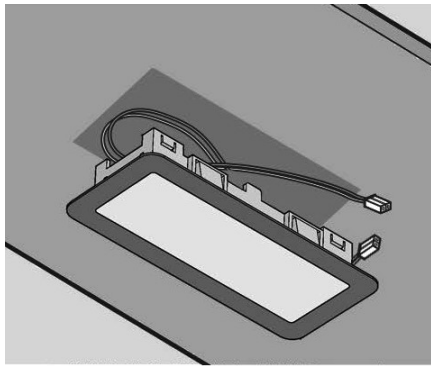
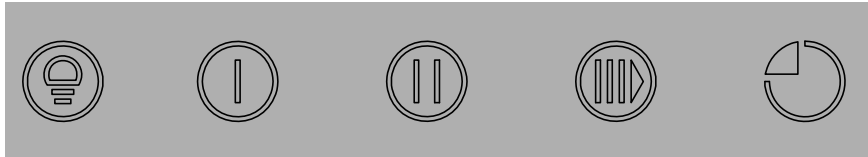
- Use only a damp doth with neutral liquid detergent.
- Do not use wet sponges or cloths, water jets, thinners, solvents, hydrochloric acid, bleach, alcohol or abrasive substances.
- Unplug the appliance or switch off the circuit breaker before carrying out maintenance operations.















Three horizontal lines are positioned to the right of the clipboard icon. Below these, there are 25 additional horizontal lines spaced evenly down the page, providing a writing area.





Three horizontal lines are positioned to the right of the clipboard icon, serving as a header for the list. Below these are 25 additional horizontal lines, providing a space for writing or listing items.





Award Appliances (NZ) Limited  
E-mail: [sales@award.co.nz](mailto:sales@award.co.nz)  
[www.awardappliances.co.nz](http://www.awardappliances.co.nz)

