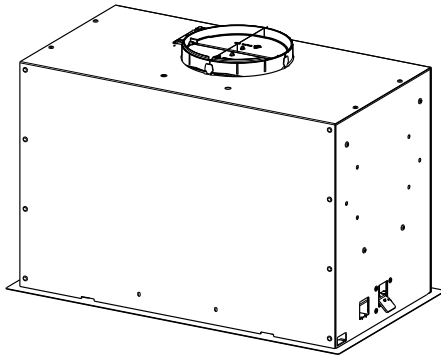




# AWARD





## Instructions Manual

PPS903S SSI



## EN 1. SAFETY INFORMATION


 For your safety and correct operation of the range hood, read this manual carefully before installation and use. Always keep these instructions with the range hood even if you move or sell it. Users must fully know the operation and safety features of the range hood.

 The wire connection has to be done by specialized technician.


- The manufacturer will not be held liable for any damages resulting from incorrect or improper installation.
- The minimum safety distance between the cooker top and the range hood hood is 650 mm
- If the instructions for installation for the gas hob specify a greater distance, this must be respected.
- Check that the mains voltage corresponds to that indicated on the rating plate fixed to the inside of the hood.
- Means for disconnection must be incorporated in the fixed wiring in accordance with the wiring rules.
- For Class I appliances, check that the domestic power supply guarantees adequate earthing.
- Connect the range hood to the exhaust flue through a pipe of minimum diameter 120 mm. The route of the flue must be as short as possible.
- Regulations concerning the dis-

charge of air have to be fulfilled.


- Do not connect the range hood to exhaust ducts carrying combustion fumes (boilers, fireplaces, etc.).
- If the range hood is used in conjunction with non-electrical appliances (e.g. gas burning appliances), a sufficient degree of aeration must be guaranteed in the room in order to prevent the backflow of exhaust gas. When the range hood is used in conjunction with appliances supplied with energy other than electric, the negative pressure in the room must not exceed 0,04 mbar to prevent fumes being drawn back into the room by the range hood.
- The air must not be discharged into a flue that is used for exhausting fumes from appliances burning gas or other fuels.
- If the supply cord is damaged, it must be replaced by the manufacturer's service agent.
- Connect the plug to a socket complying with current regulations, located in an accessible place.
- With regards to the technical and safety measures to be adopted for fume discharging it is important to closely follow the regulations provided by the local authorities.

 **WARNING:** Before installing the Hood, remove the protective films.

- Use only screws and small parts in support of the hood.


 **WARNING:** Failure to install the screws or fixing device in accordance with these instructions may result in electrical hazards.

- Do not look directly at the light through optical devices (binoculars, magnifying glasses...).
- Do not flambè under the range hood; risk of fire.
- This appliance can be used by children aged from 8 years and above and persons with reduced physical, sensory or mental capabilities or lack of experience and knowledge if they have been given supervision or instruction concerning use of the appliance in a safe way and understand the hazards involved. Children shall not play with the appliance. Cleaning and user maintenance shall not be made by children without supervision.
- Children should be supervised to ensure that they do not play with the appliance.
- The appliance is not to be used by persons (including children) with reduced physical, sensory or mental capabilities, or lack of experience and knowledge, unless they have been given supervision or instruction.

 Accessible parts may become hot when used with cooking appliances.

- Clean and/or replace the Filters after the specified time period

(Fire hazard). See paragraph Care and Cleaning.

- There shall be adequate ventilation of the room when the range hood is used at the same time as appliances burning gas or other fuels (not applicable to appliances that only discharge the air back into the room).
- The symbol  on the product or on its packaging indicates that this product may not be treated as household waste. Instead it shall be handed over to the applicable collection point for the recycling of electrical and electronic equipment. By ensuring this product is disposed of correctly, you will help prevent potential negative consequences for the environment and human health, which could otherwise be caused by inappropriate waste handling of this product. For more detailed information about recycling of this product, please contact your local city office, your household waste disposal service or the shop where you purchased the product.

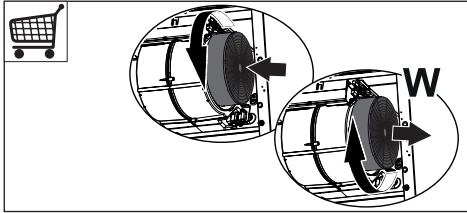
## 2. USE

- The range hood has been designed exclusively for domestic use to eliminate kitchen smells.
- Never use the hood for purposes other than for which it has been designed.
- Never leave high naked flames under the hood when it is in operation.
- Adjust the flame intensity to direct it onto the bottom of the pan only, making sure that it does not engulf the sides.

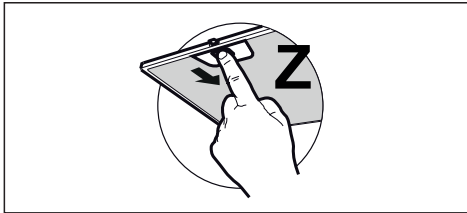
- Deep fat fryers must be continuously monitored during use: overheated oil can burst into flames.

### 3. CARE AND CLEANING

- The Activated charcoal filter is not washable and cannot be regenerated, and must be replaced approximately every 4 months of operation, or more frequently for particularly heavy usage (W).

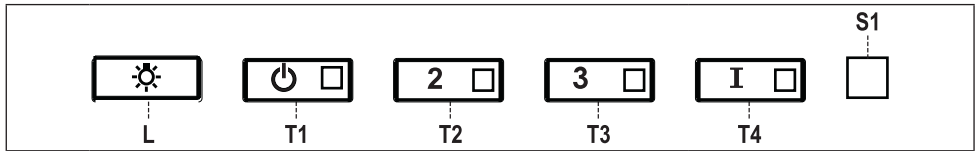


- The Grease filters must be cleaned every 2 months of operation, or more frequently for particularly heavy usage, and can be washed in a dishwasher (Z).



- Clean the hood using a damp cloth and a neutral liquid detergent.
- For external and internal cleaning of the hood avoid alcoholic or silicone products.
- If the product or one of its parts is made of stainless steel, use specific non-abrasive products for cleaning and follow the lines of the satin finish during cleaning.

## 4. CONTROLS



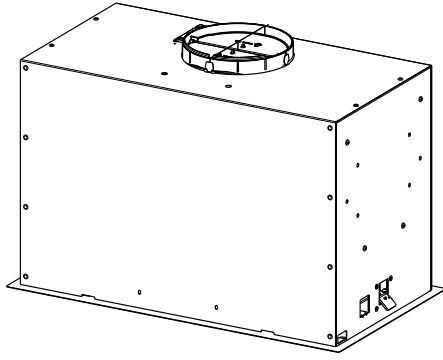
Button	Function	Led
<b>L</b>	Turns the lights on/soft/off. It is possible to change the intensity of the light cyclically. Using long separate presses(3 seconds), it is possible to vary the tone of the light between “warm” and “cold”.	- Flashing
<b>T1</b>	Turns the motor on/off at speed one.	Fixed.
<b>T2</b>	Turns the Motor on at speed two. Press and hold the button for approximately 3 seconds, with all the loads turned off (Motor and Lights), to turn the Activated Charcoal Filter alarm on. The relevant LED flashes twice to confirm. To turn the alarm off, press the button again and hold for at least 3 seconds. The relevant LED flashes once.	Fixed.
<b>T3</b>	Turns the Motor on at speed three. Press and hold the button for approximately 3 seconds, with all the loads turned off (Motor and Lights), to perform a reset. The LED <b>S1</b> flashes three times.	Fixed.
<b>T4</b>	Turns the Motor on at <b>INTENSIVE</b> Speed. This speed is timed to run for 6 minutes. At the end of this time, the system returns automatically to the speed that was set before. If it is activated with the motor turned off, the hood will switch to OFF at the end of the time. Press and hold for 3 seconds to enable the remote control, indicated by the LED flashing twice. Press and hold for 3 seconds to disable the remote control, indicated by the LED flashing just once.	Fixed.
<b>S1</b>	Signals the Metal Grease Filter saturation alarm, indicating that it is necessary to wash the filters. The alarm is triggered after the Hood has been in operation for 100 working hours. When this is activated, it signals the Activated Charcoal Filter saturation alarm, indicating that the filter must be changed; the Metal Grease Filters must also be washed. The Activated Charcoal Filter saturation alarm comes into operation after the Hood has been working for 200 hours.	Fixed. Flashing.

## 5. REMOTE CONTROL (OPTIONAL)



## 6. LIGHTING

- For replacement contact an authorised Award service centre.



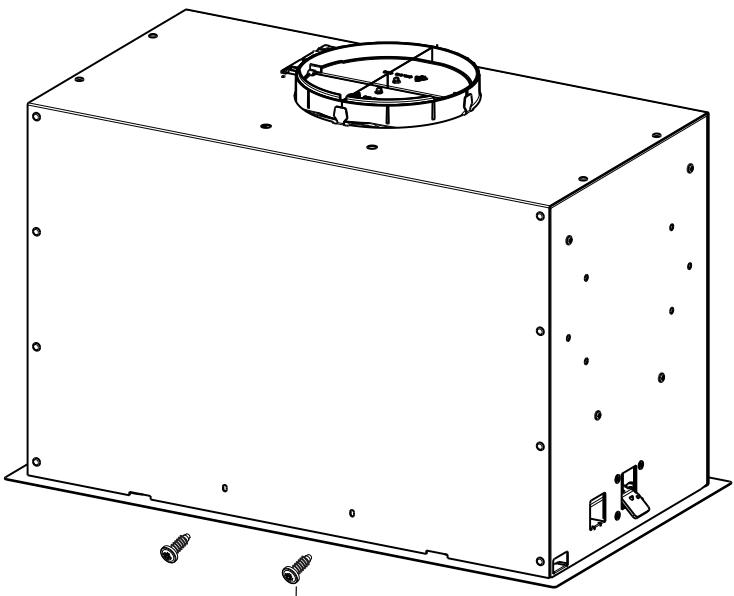
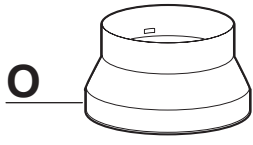
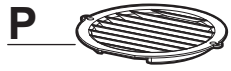
## Installation Manual



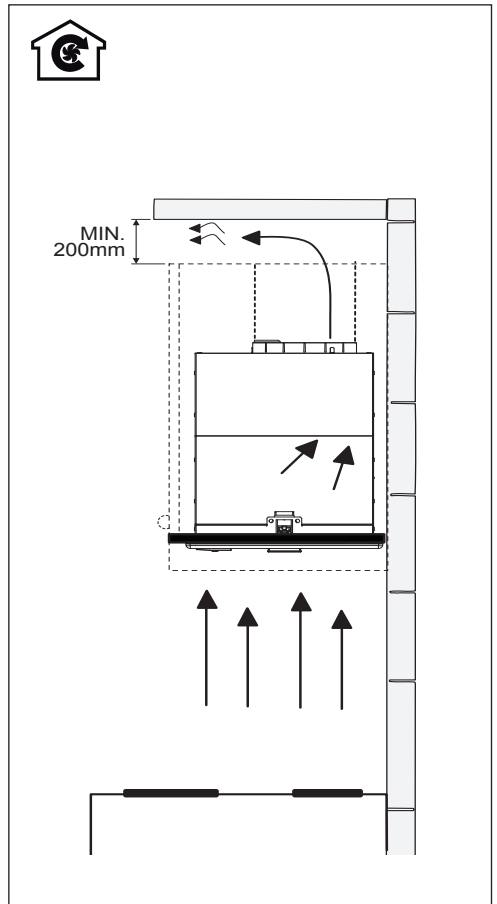
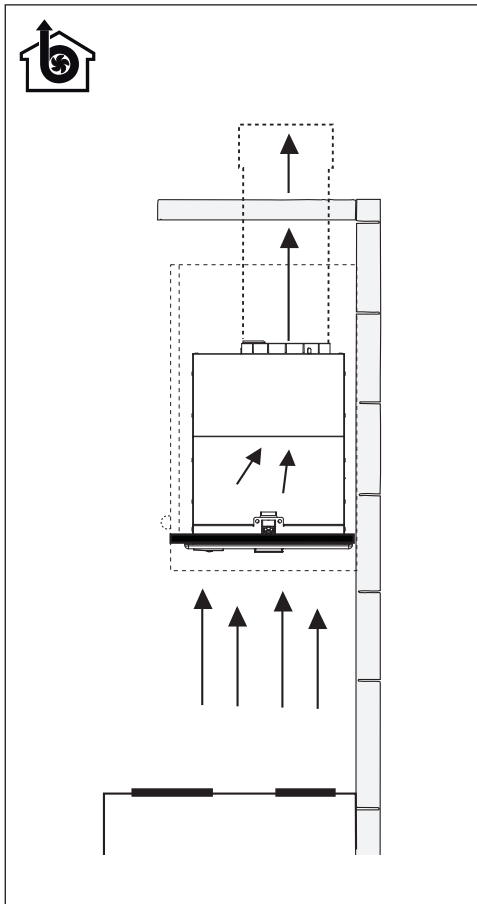
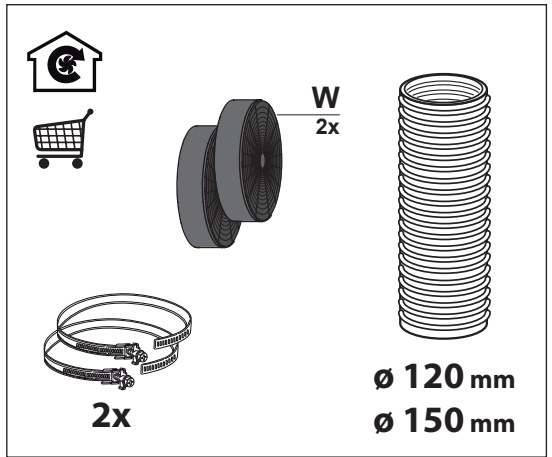
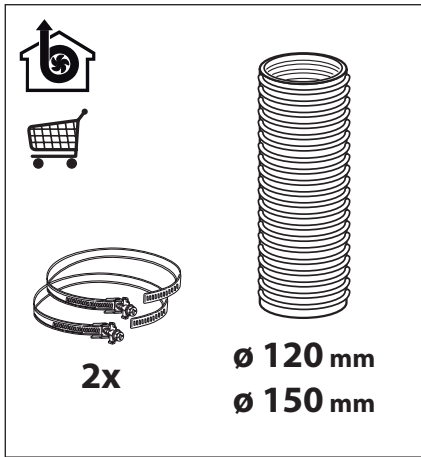


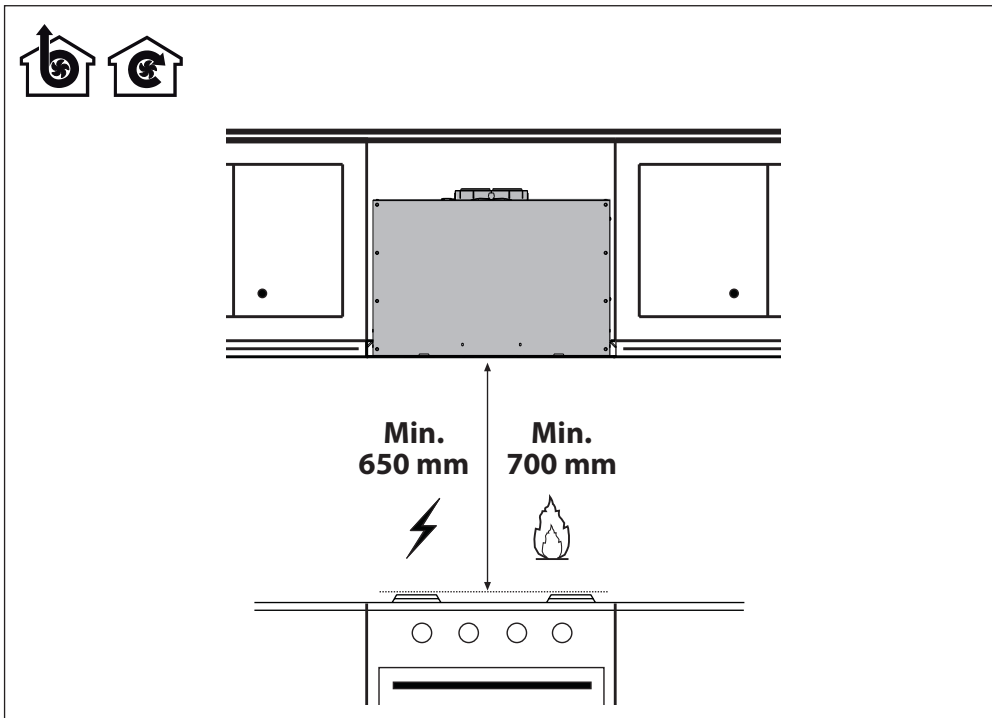
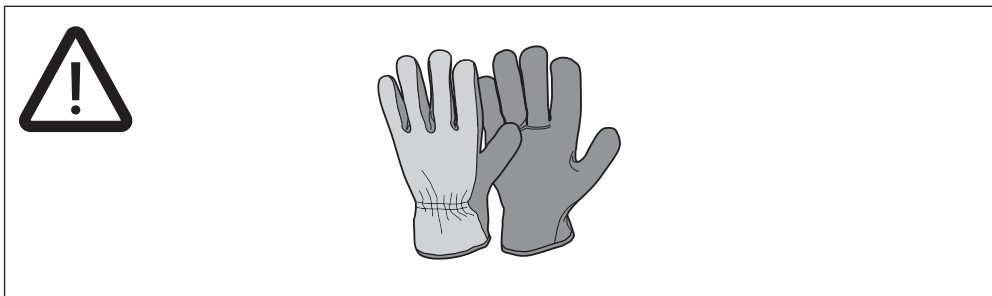
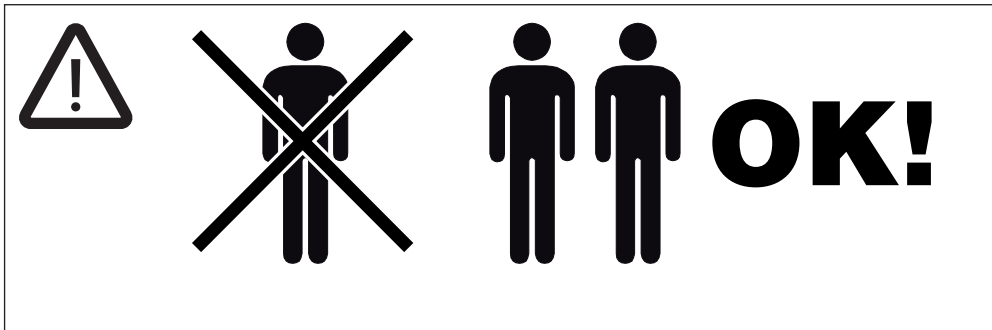


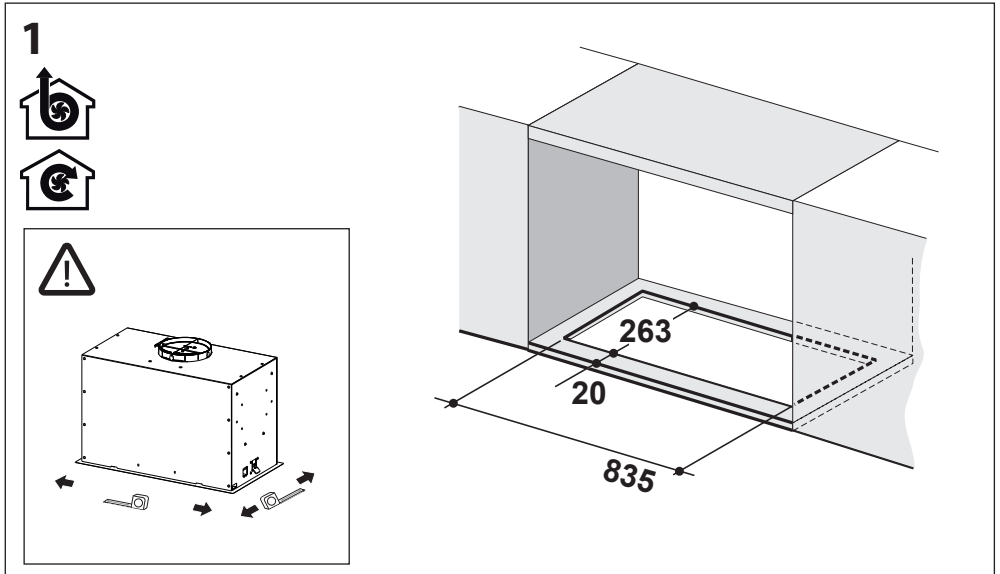
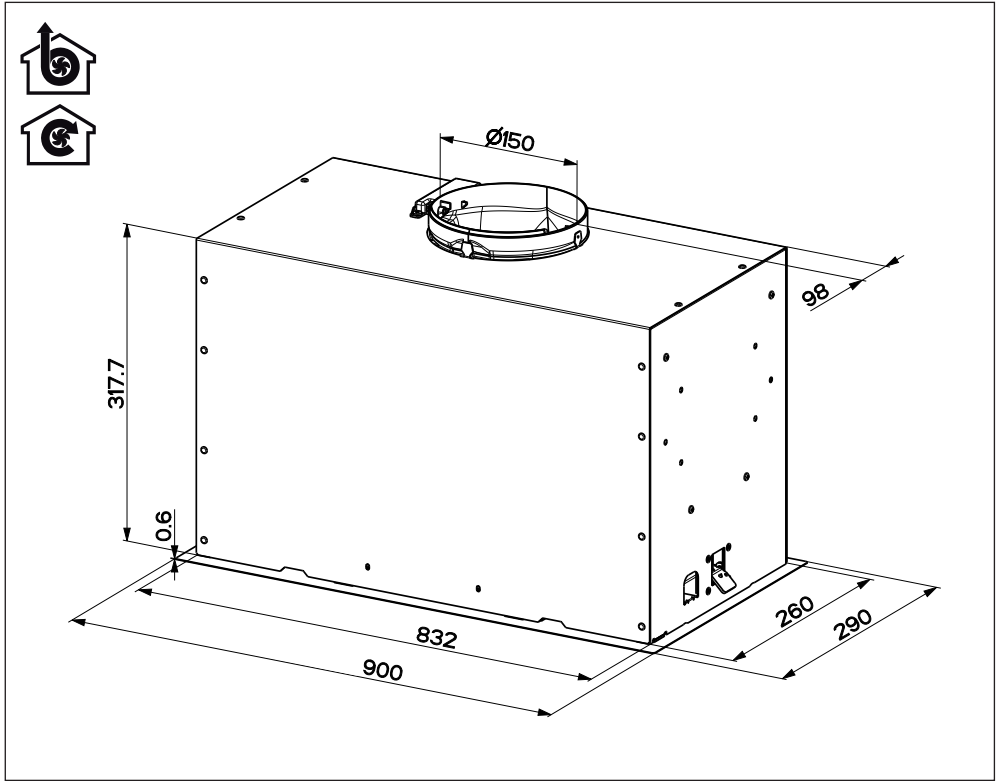
**A**  
2x - 2,9x9,5



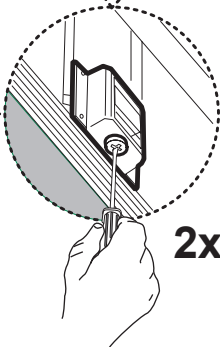
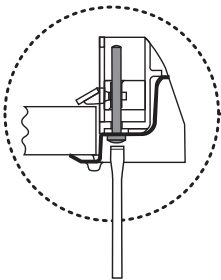
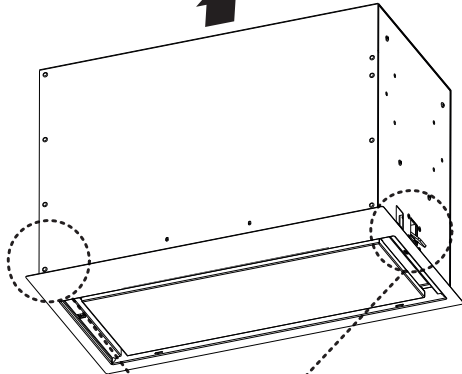
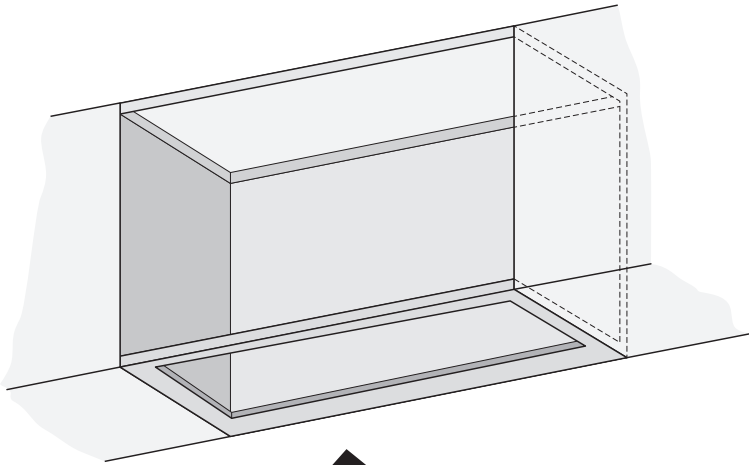
**A**  
2x - 2,9x9,5





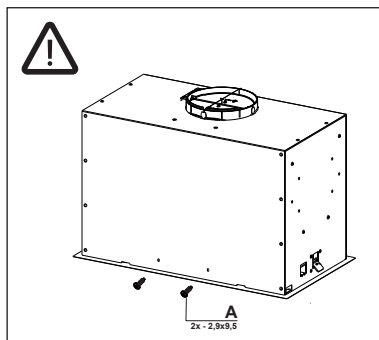
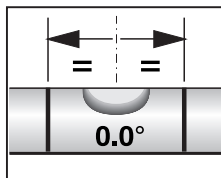
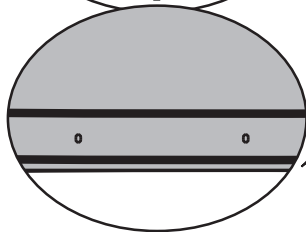
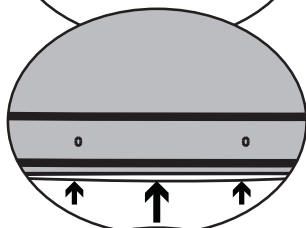
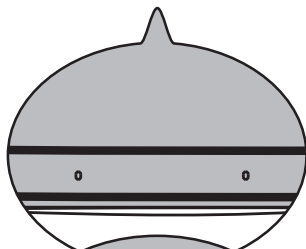
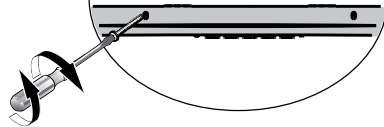
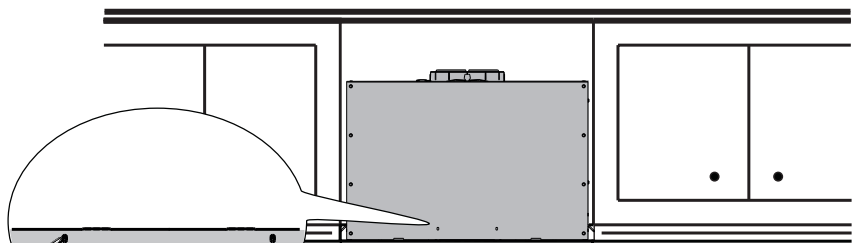


2

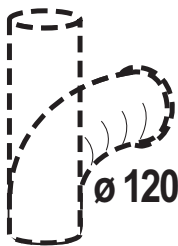
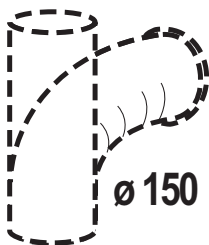
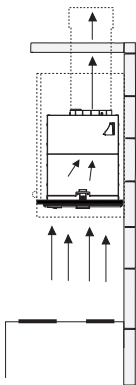


2x

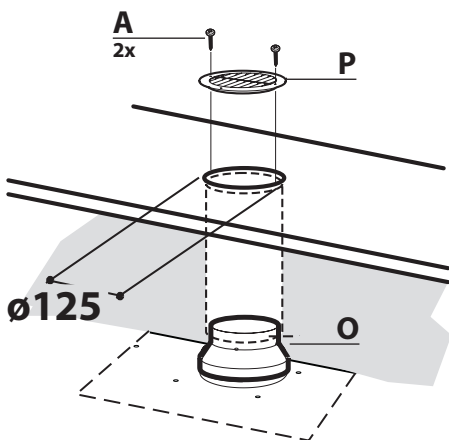
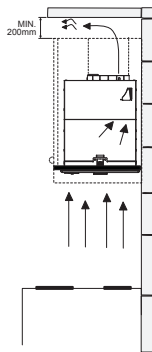
3



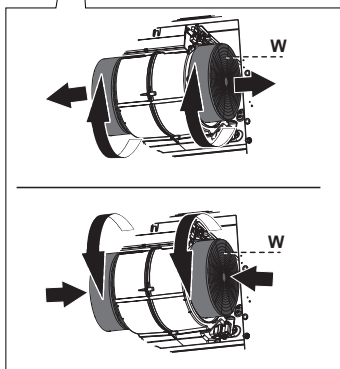
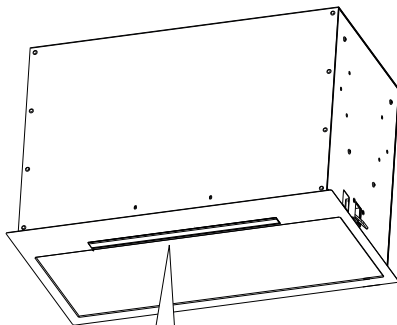
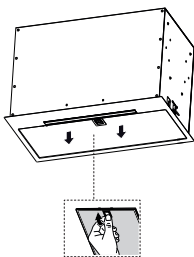
4



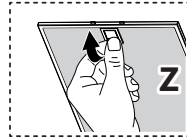
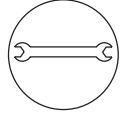
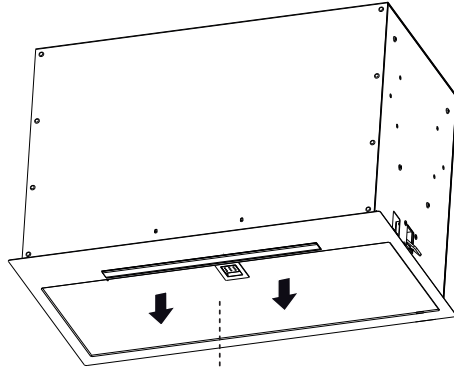
5

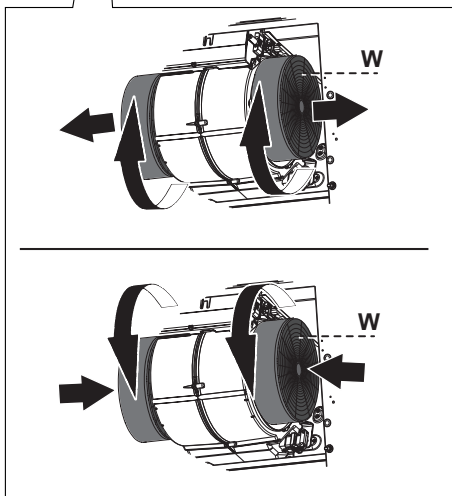
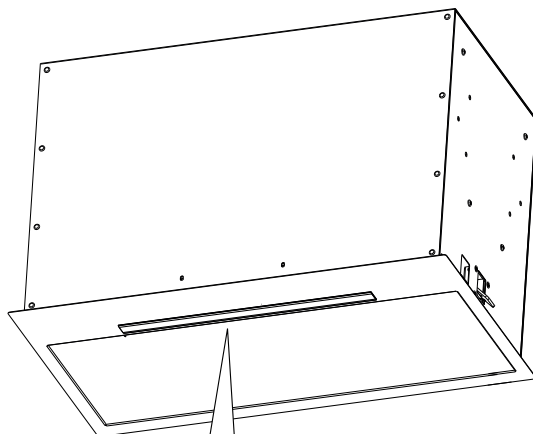
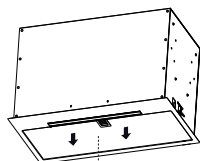
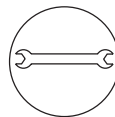


6











CE



Award Appliances (NZ) Limited  
E-mail: [sales@award.co.nz](mailto:sales@award.co.nz)  
[www.awardappliances.co.nz](http://www.awardappliances.co.nz)