



PPS6031

PPS8031

Range Hood
Instruction Manual

CONTENT

2.....	Notice and Technical data
3.....	Installation
4-5.....	Notice of installation
5-6.....	Safety Warning
7.....	Use
7-9.....	Maintenance
10.....	Trouble shooting

(1) NOTICE

- Thank you for choosing an Award range hood. Please read the instruction manual carefully before use.
- The installation work must be undertaken by a qualified and competent person.
- The manufacturer disclaims all liability for any damage or injury caused as a result of not following instructions for installation contained in the following text.
- The range hood operates on 220-240V ~, 50Hz.

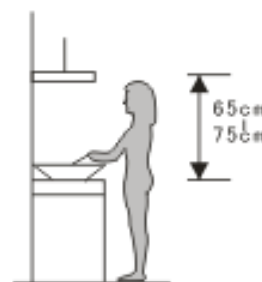
(2) TECHNICAL DATA

Model No.	PPS6031
Rated voltage	220 - 240 V~ 50Hz
Total power	194W
Motor power	190W
Lamp max.	2 x 2W

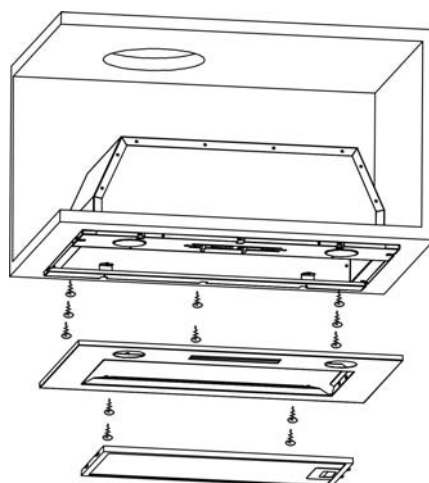
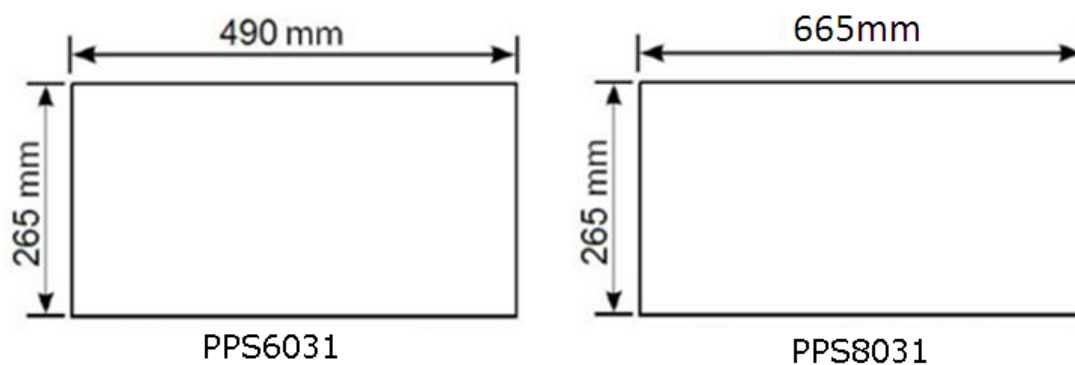
Model No.	PPS8031
Rated voltage	220 - 240 V~ 50Hz
Total power	384W
Motor power	380W
Lamp max.	2 x 2W

(3) INSTALLATION

- When the range hood is located above a gas appliance, this distance shall be at least 65 cm between the supporting surface for the cooking vessels on the hob and the lowest part of the range hood.
- Make a cut-out in the joinery as follows: wide 490*265(mm) for 52CM and 665*265(mm) for model 70CM. Pic 1. Make sure you have at least 35mm clearance from the edge of the cut-out to the joinery.
- Remove the filter and remove the screws holding the panel
- Use the fixing screw supplied to attach range hood to joinery
- Reinststate panel to body and fit filter
- Connect ducting to hood outlet
- The air must not be discharged into a flue that is used for exhausting fumes from appliances burning gas or other fuels;
- Regulations concerning the discharge of air have to be fulfilled.
- The range hoods are intended to be installed over a hob having not more than 4 hob elements.



The size of cavity:



(4) NOTICE OF INSTALLATION

The following rules must be strictly followed to obtain optimal air extraction:

- Do not install above a cooker with a high level grill.
- Important! Always switch off the electricity supply at the mains during installation and maintenance.
- The range hood must be installed in accordance with the installation instructions and all measurements followed.
- Please dispose of the packing material carefully. It may be a risk to children.
- Pay attention to the sharp edges inside the range hood especially during installation and cleaning.
- When the range hood is located above a gas appliance, the minimum distance between the supporting surface for the cooking vessels on the hob and the lowest part of the range hood that distance must be:

Gas cookers:	75cm
Electric cookers:	65 cm
Coal or oil cookers:	75 cm
- Make sure the ducting has no bends less than 120° as this will reduce the efficiency of the range hood.
- Warning: Failure to install the screws or fixing device in accordance with these instructions may result in electrical hazards
- If the supply cord is damaged, it must be replaced by the manufacturer, its service agent or similarly qualified persons in order to avoid a hazard.
- Warning: Before obtaining access to terminals, all supply circuits must be disconnected.
- For safety reason, please use only the same size of fixing or mounting screw which are recommended in this instruction manual.
- When the range hood and appliances supplied with energy other than electricity are simultaneously in operation, the negative pressure in the room must not exceed 4 Pa (4 x 10⁻⁵ bar).
- Keep ducting pipe short and straight.
- Do not reduce the size or restrict ducting pipe.
- When using ducting pipe always install the pipe pulled taut to minimize pressure loss.
- Failure to observe these basic instructions will reduce the performance and increase noise levels of the range hood.
- Any installation work must be carried out by a qualified electrician or competent person.

- Do not connect the ducting system of the range hood to any existing ventilation system which is being used for any other appliance, such as warmer tube, gas tube , hot wind tube.
- The angle of the bend of the expansion pipe should not be less than 120°; you must direct the pipe horizontally, or, alternatively, the pipe should go up from the initial point and should be led to an outer wall.
- After the installation, make sure that the range hood is level to avoid grease collection at an end.
- Ensure the ducting pipe selected for installation complies with relevant standards and is fire retardant.

(5) SAFETY WARNING

- The range hood is not to be used by persons (including children) with reduced physical, sensory or mental capabilities, or lack of experience and knowledge, unless they have been given supervision or instruction.
- Children should be supervised not to play with the range hood.
- The range hood is for home use only, not suitable for barbecue or commercial application.
- Please ask a technical person to do the assembling.
- The range hood and its filter mesh should be clean regularly in order to keep in good working order.
- Before cleaning, please switch the power off at the main supply.
- Clean the range hood according to the instruction manual to keep the range hood safe from fats that may cause ignition.
- If there is any fault with the range hood, please call an authorised Award service company to arrange a service.
- Do not try to use the range hood without the grease filters or if the filters are excessively greasy!
- Do not leave frying pans unattended during use because overheated fats or oils might catch fire.
- Never leave naked flames under the range hood.
- If the range hood is damaged, do not attempt to use.
- Do not flambé under the range hood.
- Always put lids on pots and pans when cooking.

- When in extraction mode, air in the room is being removed by the Range hood. Please make sure that proper ventilation measures are being observed. The range hood removes odours from room but not steam.
- There shall be adequate ventilation of the room when the range hood is used at the same time as appliances burning gas or other fuels.
- Caution: The range hood and its accessible parts can become hot during operation. Children younger than 8 years old should stay away unless they are under permanent supervision.
- There is a fire risk if cleaning is not carried out in accordance with the instructions
- Regulations concerning the discharge of air have to be fulfilled.
- Clean your range hood periodically by following the method given in the chapter MAINTENANCE.
- Regarding the details about the method and frequency of cleaning, please refer to maintenance and cleaning section in the instruction manual.
- Cleaning and user maintenance shall not be made by children without supervision.

(6) USE

Push button

- Press the button “Stop”, the motor is stopped then.
- Press the button “Low”, the motor is running at low speed.
- Press the button “Mid”, the motor is running at medium speed.
- Press the button “High”, the motor is running at high speed.
- Press the button “Lamp”, both lamps start shining .Press the button again; the lamps are switched off then.



(7) MAINTENANCE

Clean the filters as below:

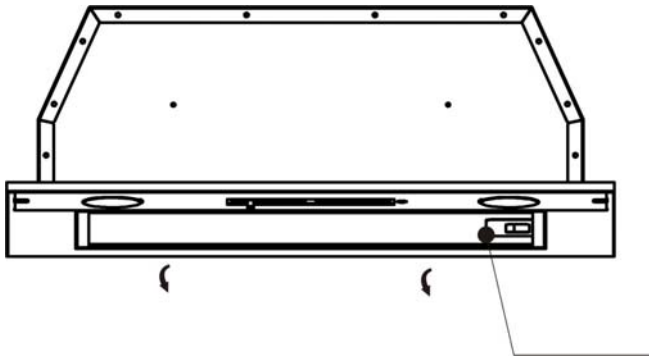
- The filter mesh is made of metal. Do not use corrosive detergent on it.
- Keeping this filter clean will keep the appliance running correctly. Strictly follow the guidelines below.
- Method 1: Put the mesh into 40-50 c clean water, pour on detergent, and soak for 2-3 mins. Wear gloves and clean with a soft brush. Do not apply too much pressure, as the mesh is delicate and will damage easy.
- Method 2: If instructed to do so, it can be put into a dishwasher, set the temperature at around 60 degrees.

Clean the range hood as below:

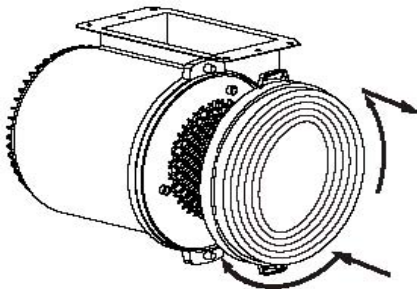
- To protect the main body from corrosion over a long period of time, the range hood should be cleaned with hot water plus non corrosive detergent every two months.
- Do not use abrasive detergent as they will damage the body.
- Keep the motor and other electrical parts free from water, as this will cause damage to the appliance.

- Before cleaning the appliance remember to turn off power
- If the supply cord is damaged, it must be replaced by the manufacturer, its service agent or similarly qualified persons in order to avoid a hazard.

Disassembly and assembly the filter:




- Activated carbon filter can be used to trap odors. In order to install the activated carbon filter, unscrew and take down the front panel. Then plug the activated carbon filter into the unit and turn it in anti-clockwise. Repeat the same on the other side.



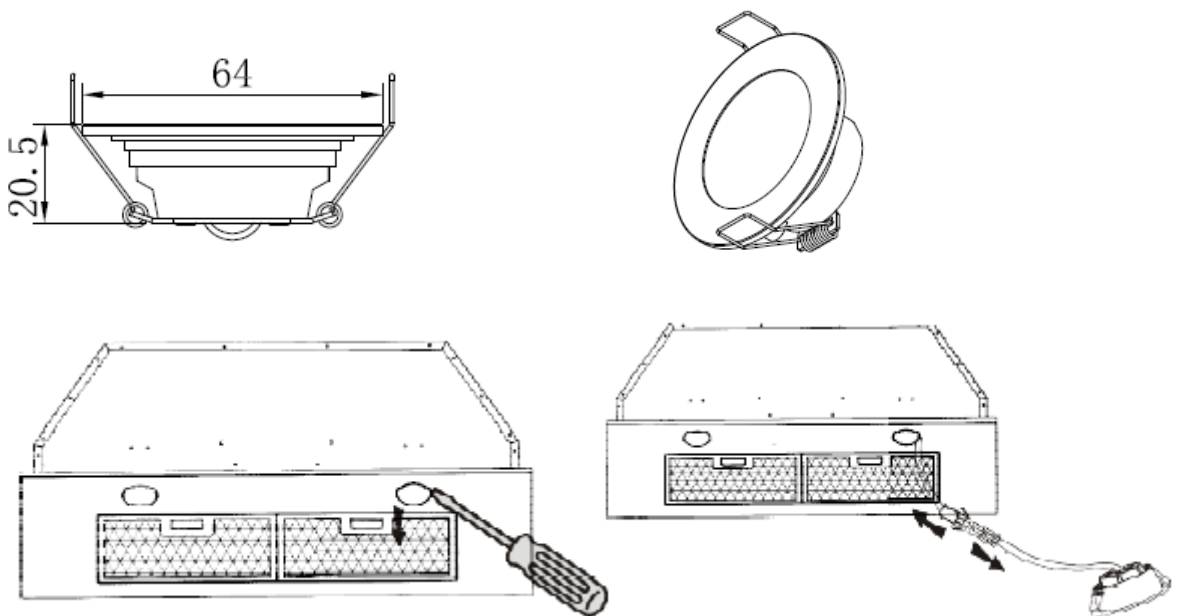
NOTE:

- Make sure the filter is securely locked. Otherwise, it could loosen and cause damage to the unit. When activated carbon filter attached, the suction power will be lowered.

BULB REPLACEMENT

<p>Important :</p> 	<ul style="list-style-type: none"> ✧ The bulb must be replaced by the manufacturer, its service agent or similarly qualified persons. ✧ Always switch off the electricity supply before carrying out any operations on the appliance. When handling bulb, make sure it is completely cool down before any direct contact to hands. ✧ When handling globes hold with a cloth or gloves to ensure perspiration does not come in contact with the globe as this can reduce the life of the globe.
---	---

- Switch the unit off and pull out the plug first.
- Wait until the light bulb is cooled down before replacement.
- Remove the front part with the aid of screwdriver.
- Pull out the LED light carefully and replace with the same type and rated LED light (2*2W LED light)
- Reinstall the front part to the unit with screwdriver.
- **ILCOS D code for this lamp is: DBR-2/65-H-64**
 - LED modules, self- ballasted – round lamp
 - Lamp: 2 x 2 W max.
 - Voltage range: AC 220-240V
 - Dimensions:



(8) TROUBLE SHOOTING

Fault	Cause	Solution
Light does not work, but motor works	The bulb damaged	Change bulb
	Bad contact between bulb and cap	Fix or change
	Light panel switch damage	Fix or change
Light works, but motor does not work	Motor bearings damage	Change motor
	Motor burn out	Change motor
	Motor control switch damage	Fix or change
	Bad plug contact outlet	Fix or change
Light does not work, motor does not work	Power cord damaged	Change power cord
	Switch damage	Fix or change
	Wind leaves damage	Change leaves
Shake of the body	Motor screw loosen	Tighten screw
	Combination screw loosen	Tighten screw
	The body fixing to joinery is lose	Tighten
Insufficient suction	Cross-ventilation too strong or kitchen too closed in	Reduce cross-ventilation or open the window
	Exhaust pipe too long	Adjust the length of pipe
	Air outlet valve not open	Check the valve
	The outside wind is too strong	No the technical problem



Award Appliances (NZ) Limited
E-mail: sales@award.co.nz
www.awardappliances.co.nz