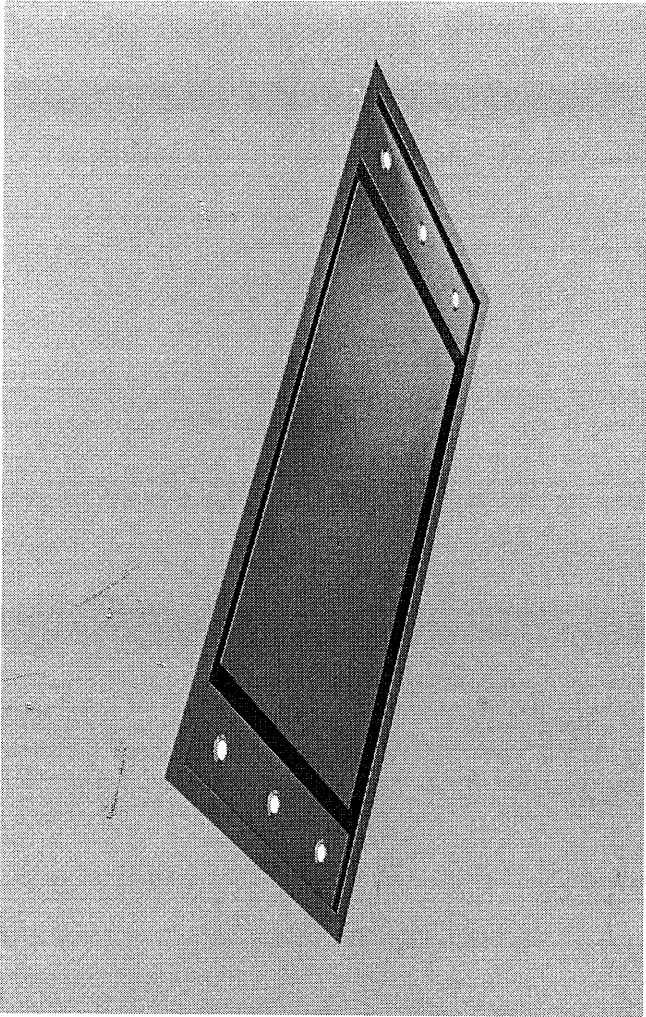


A AWARD




A AWARD
Appliance
Group

Award Appliances (NZ) Limited


E-mail: sales@award.co.nz

www.awardappliances.co.nz

CE


Certificación del Sistema de Gestión de la Calidad
Environmental Management System Certification
UNE-EN ISO 14001:2015
ES20208675


Sistema de Gestión de la Calidad
Quality Management System
UNE-EN ISO 9001:2015
ES1906566


Certificación del Sistema de Gestión de la Calidad
Environmental Management System Certification
UNE-EN ISO 14001:2015
ES20208675


Sistema de Gestión de la Calidad
Quality Management System
UNE-EN ISO 9001:2015
ES1906566

A AWARD

E-295



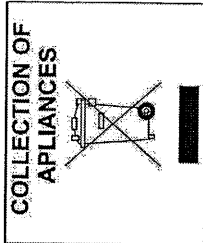
A AWARD

V21.1

A AWARD

Installation manual

V21.1



The symbol on the product or its packaging indicates that this product cannot be disposed of like normal domestic waste. The product must be handed over at a collection point for recycling electrical and electronic equipment. If you ensure that this product is correctly disposed of, you will help to avoid the possible negative environmental and public health effects that could arise from incorrect disposal. For more detailed information about recycling this product, please contact your city authorities, the domestic waste service or the establishment where you purchased it. This electrical appliance is marked in compliance with European Directive 2002/96/EC on electrical and electronic appliance waste (WEEE).

ENVIRONMENTAL PROTECTION AND WASTE TREATMENT

DISPOSAL OF THE PACKAGING. The packaging is marked with in Green Dot.

In its commitment to the protection of the environment and in compliance with the provisions of the European Directive 94/62 / EC on packaging and packaging waste and the derived Law 22/2011 on Contaminated Residues and Soils, Pando entrusts entities of social economy an Integrated Management System, responsible for the periodic collection at the consumer's home or in its vicinity of used packaging and packaging waste for subsequent treatment.

To remove all packaging materials such as cardboard, expanded polyurethane, and film, use the appropriate containers.

This ensures the correct treatment and reuse of packaging materials.

EN - INTRODUCTION

Firstly, we would like to thank you for your confidence in our firm when you chose a Award extractor hood.

EN - SAFETY INSTRUCTIONS

Read carefully the safety instructions indicated in the use and installation manual enclosed in the accessories and product documentation bag.

Installation should only be carried out by qualified professionals, professional installers or the official technical service.

VERY IMPORTANT!

When opening the packaging, check that all the components are in perfect state and all the accessories are present. If this is not the case, contact the dealer and do not install. **Once installed, any damage to the exterior such as scratches, dents, stains, etc. will not be covered by the guarantee.**

DO NOT REMOVE THE PROTECTIVE PLASTIC FROM THE HOOD UNTIL IT IS COMPLETELY INSTALLED, IF THIS PLASTIC IS NOT PRESENT IN AREAS THAT COULD HAVE A RISK OF DAMAGE DURING INSTALLATION, IT IS RECOMMENDED TO APPLY PROTECTIVE MATERIALS AGAINST IMPACT, SCRATCHES AND CONTACT WITH CORROSIVE AGENTS.

TAKE ESPECIAL CARE DURING THE INSTALLATION IF OTHER WORK IS ALSO IN PROGRESS, BECAUSE PAINT, SILICON, PLASTER AND OTHER MATERIALS COULD CONTAIN CORROSIVE CHEMICALS THAT MAY DAMAGE THE PRODUCT, IN THESE CASES IT IS RECOMMENDED TO ADEQUATELY PROTECT THE HOOD, BY FOR EXAMPLE, HERMETICALLY COVERING AREAS THAT COULD BE AFFECTED WITH PLASTIC.

THIS WILL AVOID DAMAGE TO THE OUTSIDE OF THE APPLIANCE, SOMETHING THAT WILL NOT BE COVERED BY THE GUARANTEE.

EN - Features and recommendations for ceiling-mounted hoods.

FORM OF THE CEILING:

The "ideal" ceiling to install these hood units must be completely unobstructed and flat over all of its surface. If for design reasons you choose to have different heights or steps in the ceiling, it must be ensured that the suction losses (you must send us a plan to determine whether the surrounding ceiling is suitable).

CEILING HEIGHT:

For optimum operation of the hood, the distance between the hob or cooking area and the base of the hood should be between 140 and 170cm. For other distances outside this range consult our Award Technical Division.

POSITION OF THE HOOD:

The hood must be centred over the cooking area.

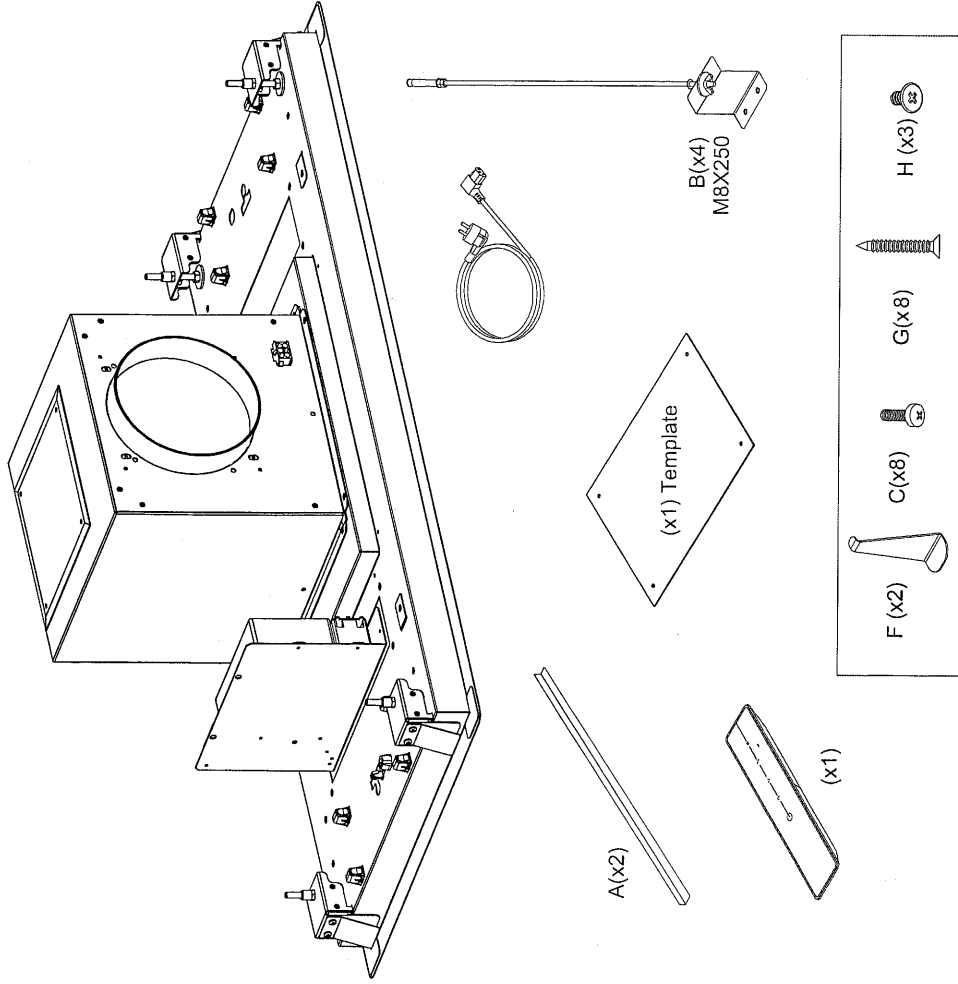
AIR INTAKE GRILLE:

To ensure optimum suction by the hood it is essential that the kitchen has a constant inward flow of air; a ventilation grille at floor level is the perfect solution for this.

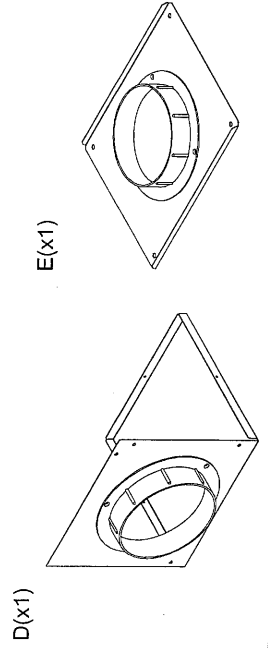
INSTALLING THE FLUE PIPE:

We strongly recommend that you use S.E.C. System® fume extractor flue pipes from Award, as these considerably improve convenience in use and the soundproofing of the unit.

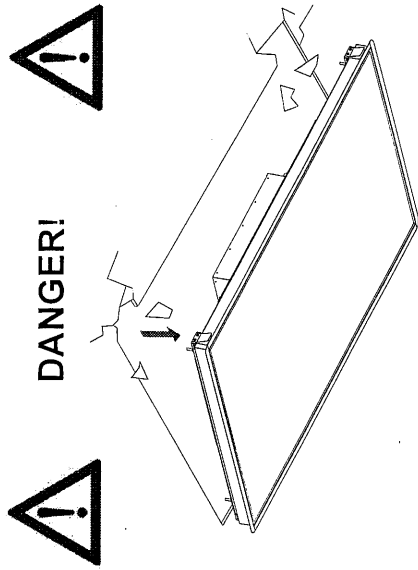
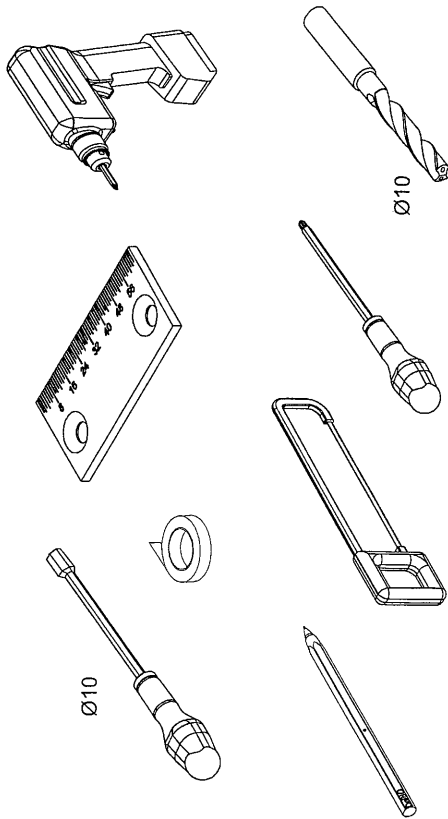
It must be taken into account and provide that the hood and peripherals must have easy and safe access for possible maintenance or repair tasks of the official Award technical service (SAT). **The guarantee will NOT** cover the costs and means necessary for access to a product that does not meet these conditions. In the event that the product is not easily accessible or safe, a criterion that will be issued by SAT in its initial inspection, it will be the responsibility of the client to place the means and assume the necessary costs so that the SAT can perform the intervention adequately.



OPTIONAL (only for V.1350)



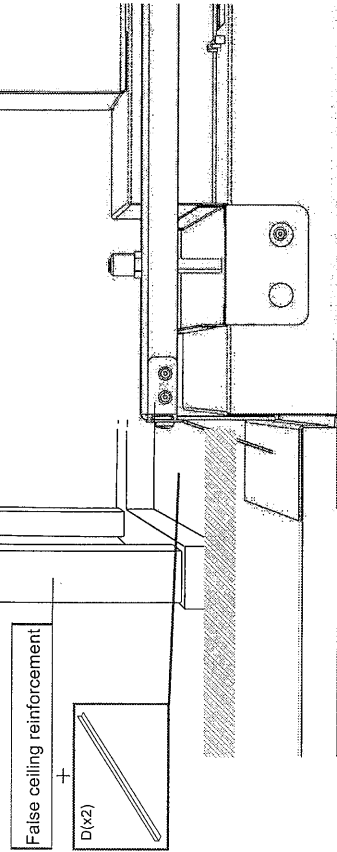
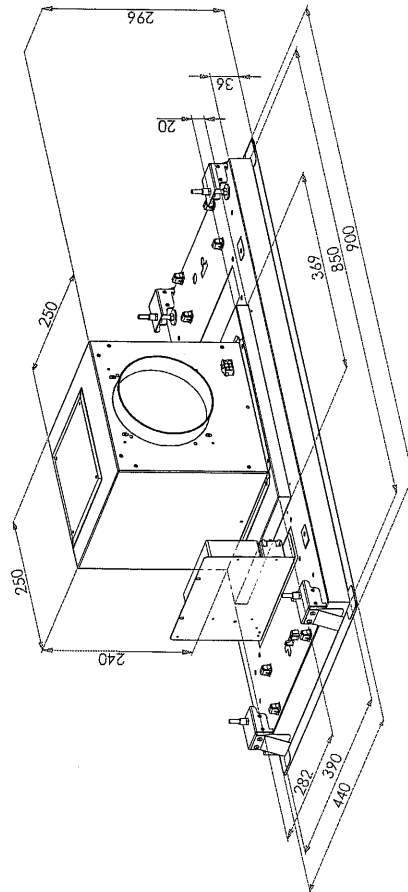
TOOLS REQUIRED



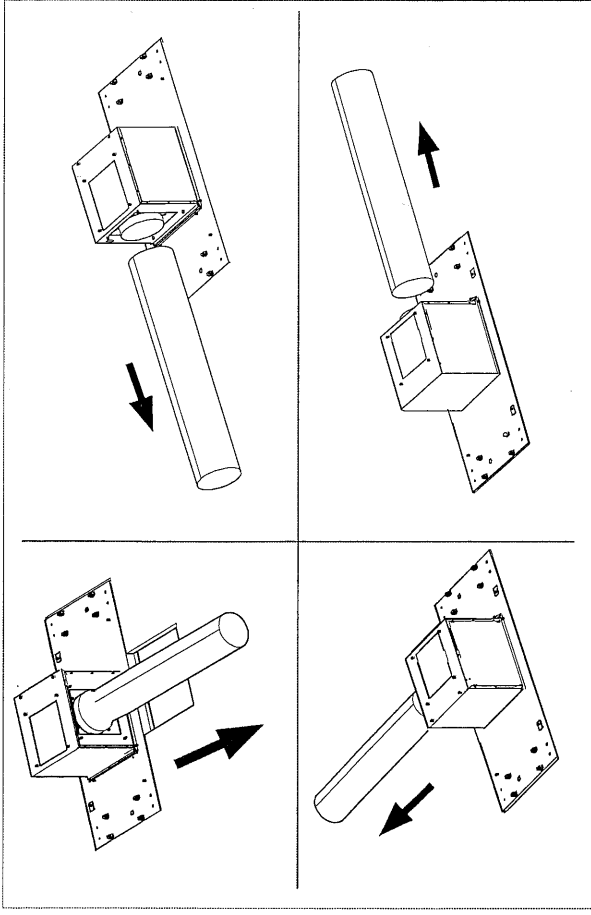
EN-INSTALLATION TO FALSE CEILING WITH CLAMPS

Do not install the hood directly into drywall or any other non-resistant surface. Use the accessories (Dx2) supplied with the hood and install a reinforcement into false ceiling.

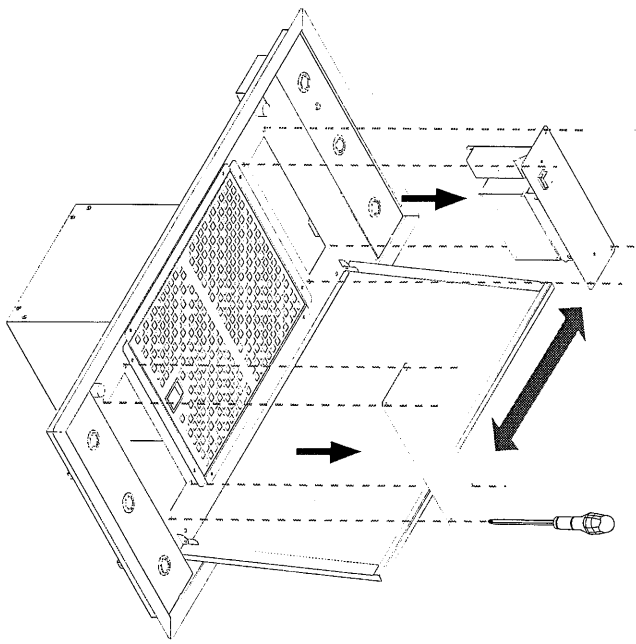
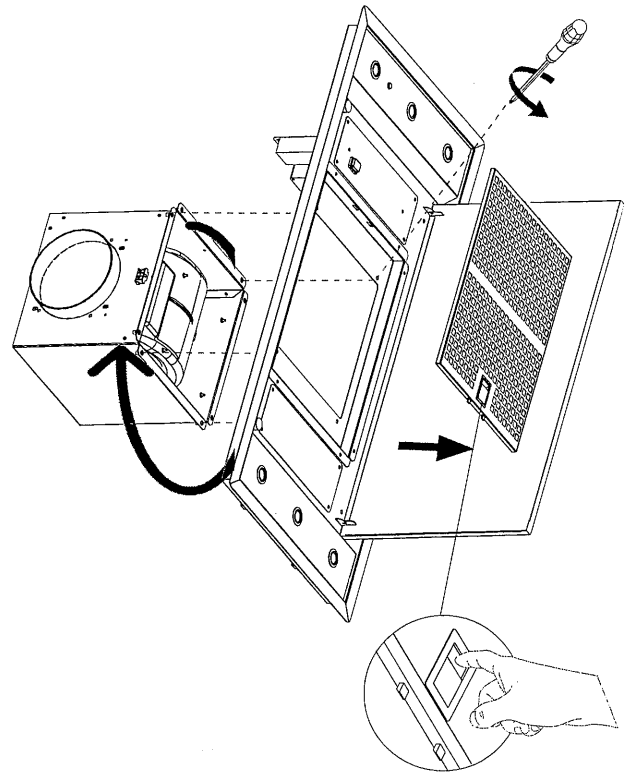
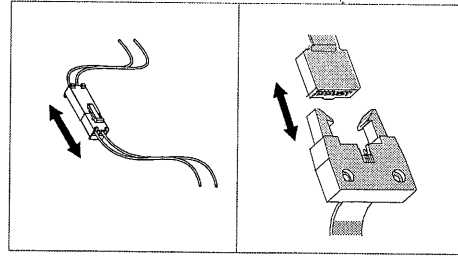
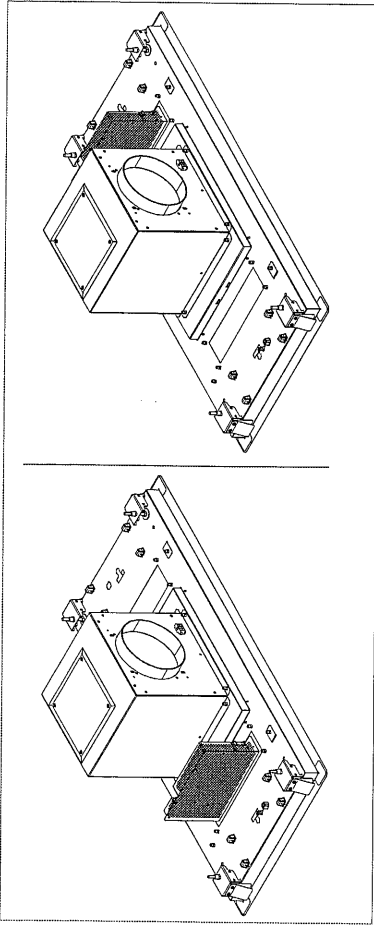
DIMENSIONS



**OPTIONAL
CHANGE ENGINE POSITION**



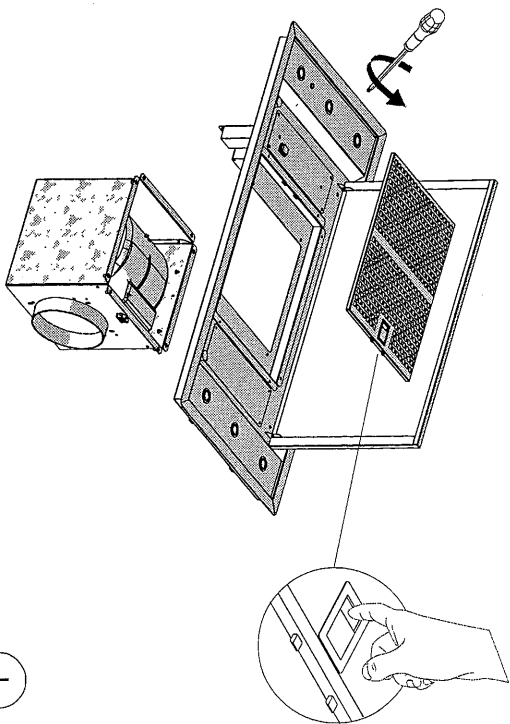
**OPTIONAL
CHANGE ELECTRONIC BOX POSITION**



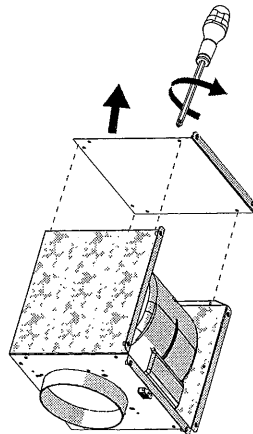
OPTIONAL

REMOTE MOTOR (only for V.1350)

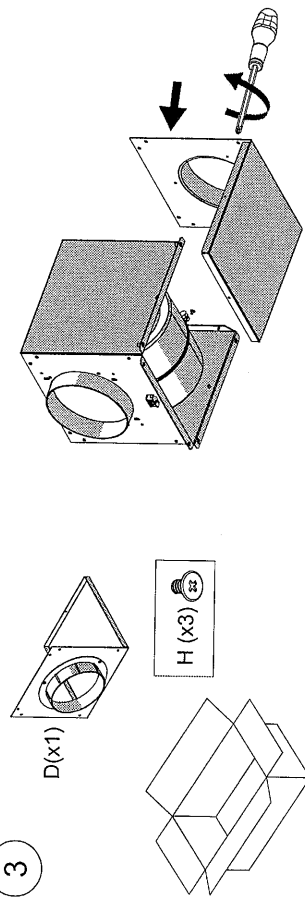
1



2



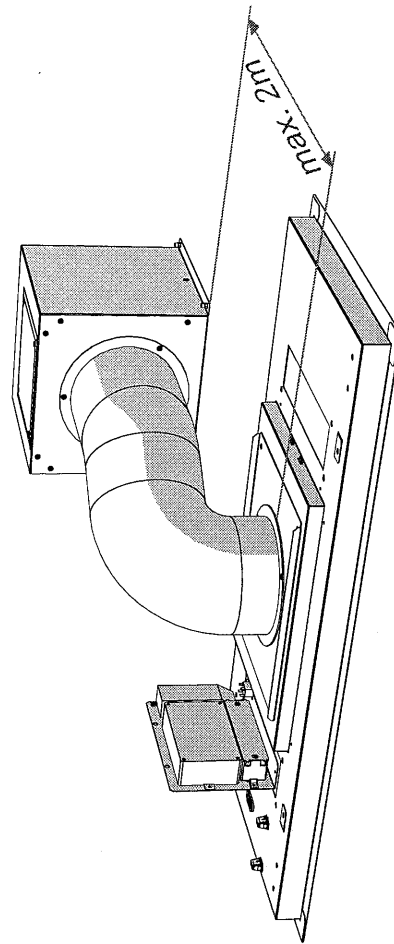
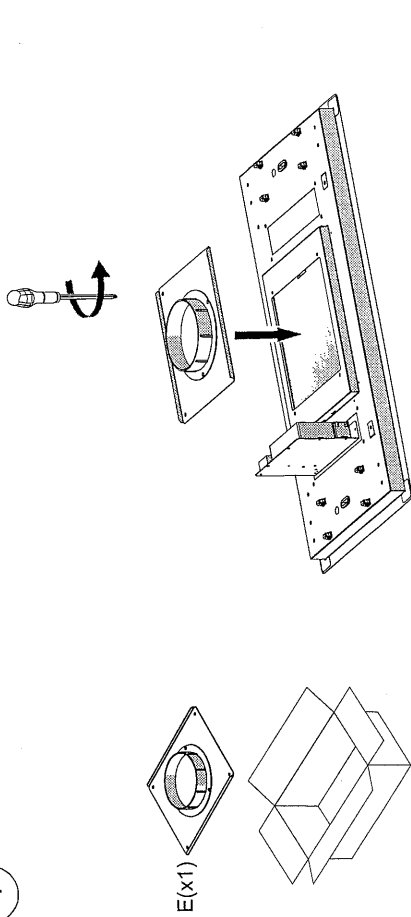
3



OPTIONAL

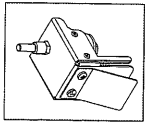
REMOTE MOTOR (only for V.1350)

4

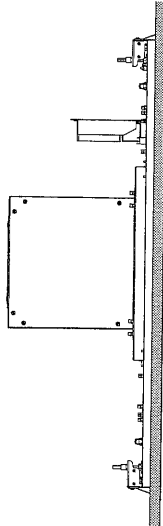


INSTALLATION

OPTION A



EN- Fixing to false ceiling with clamps

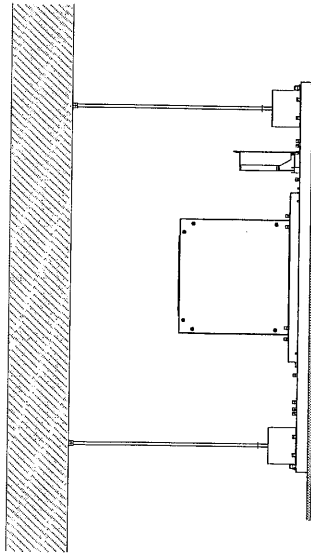


p.15 **A**

OPTION B



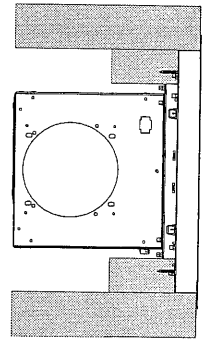
EN- Fixing to the ceiling with threaded rods



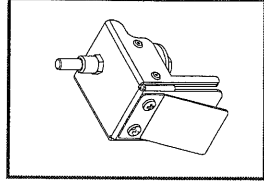
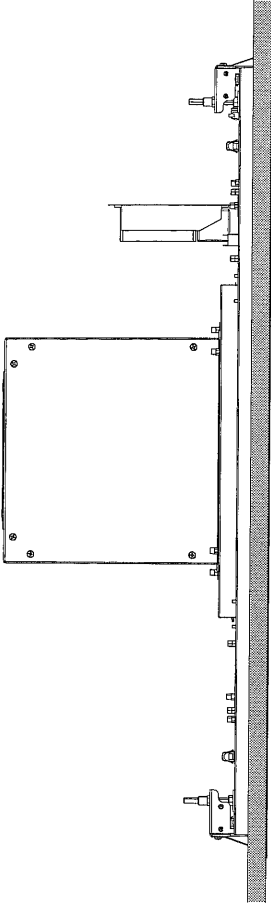
p.25 **B**

OPTION C

EN- Among aligned beams



INSTALLATION



OPTION A

EN- ANCHORAGE TO FALSE CEILING WITH STAPLES

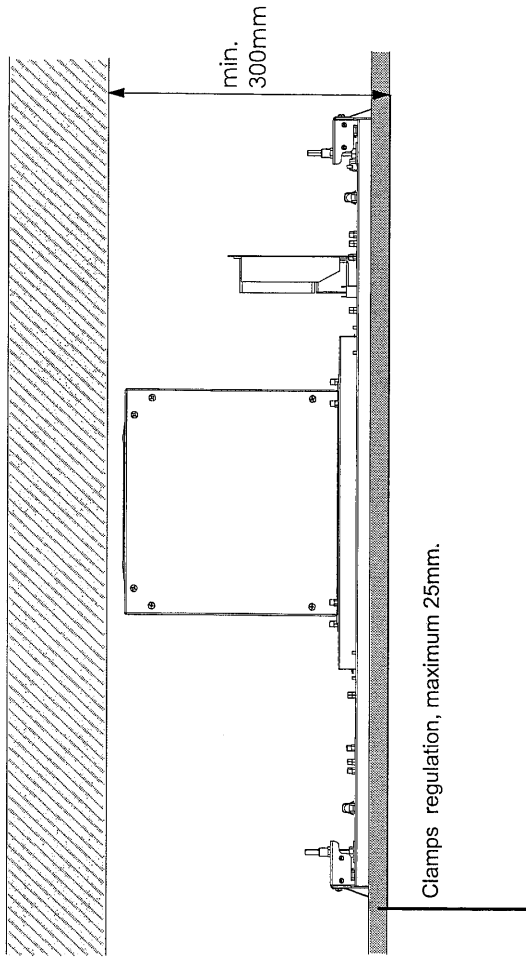


EN

Install to false ceiling once reinforced, prepared to support a minimum weight **20 Kg.**
Do not install the hood directly into drywall or any other non-resistant surface.

INSTALLATION
OPTION A

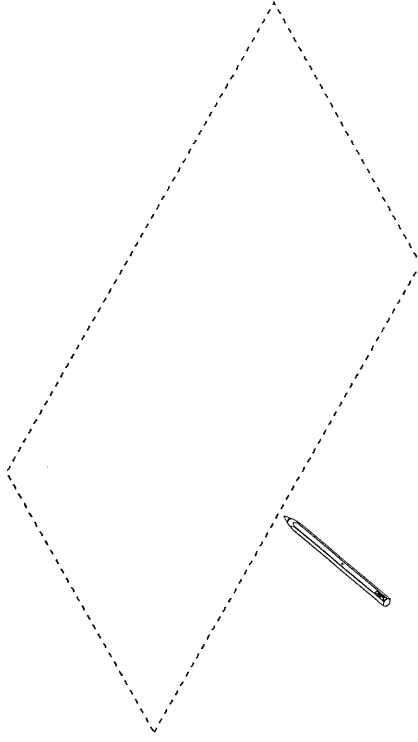
A



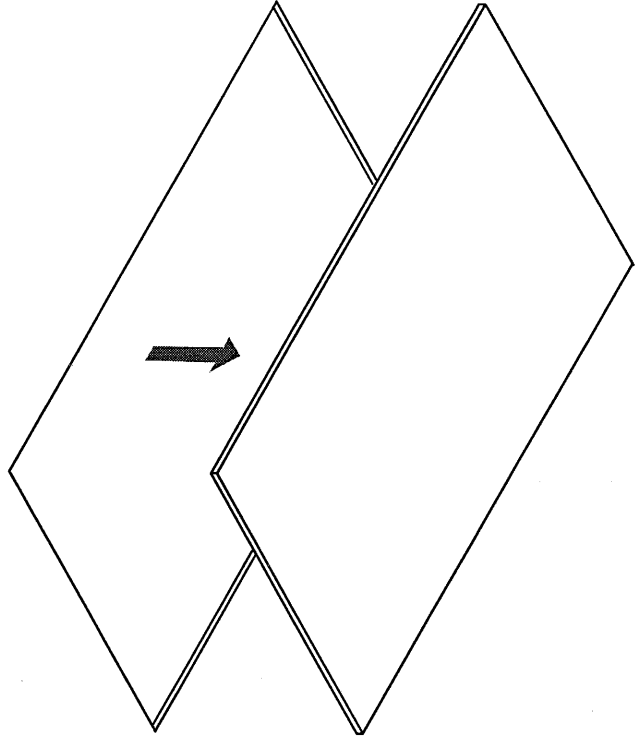
INSTALLATION
OPTION A

A

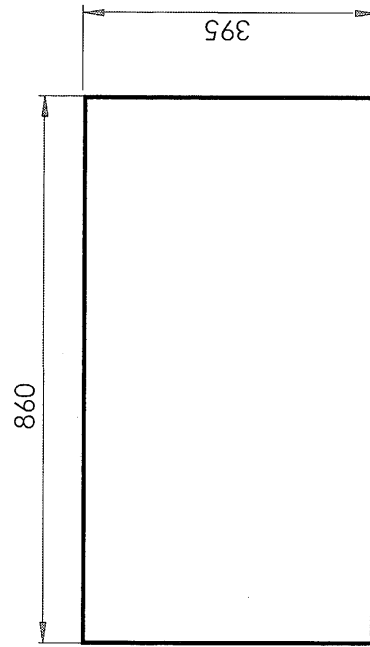
1



2

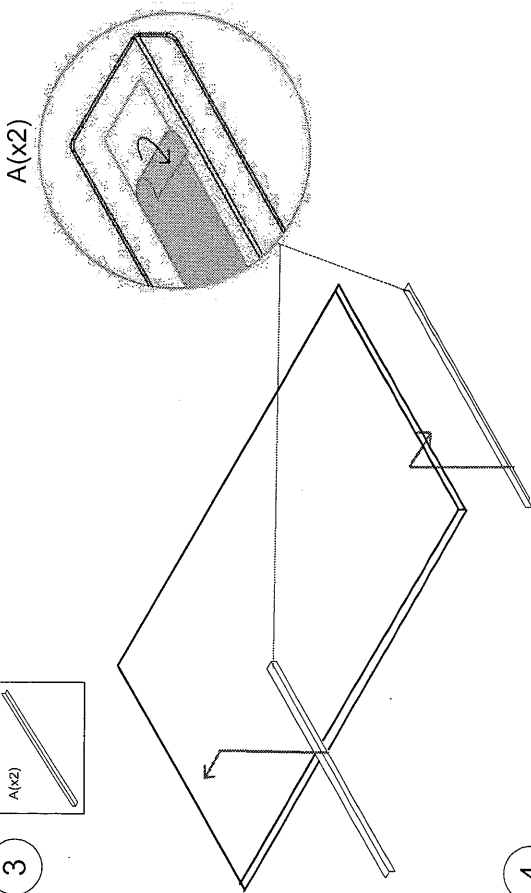
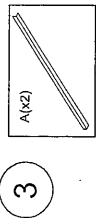


INSERT



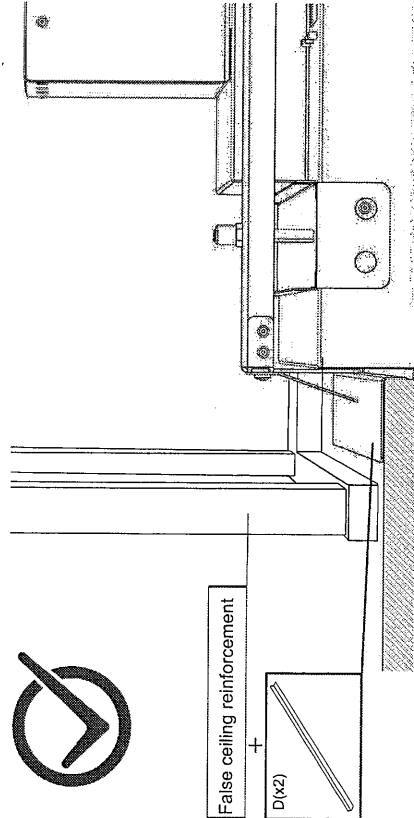
INSTALLATION
OPTION A

A



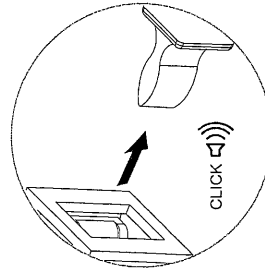
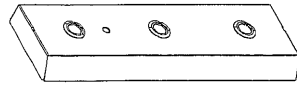
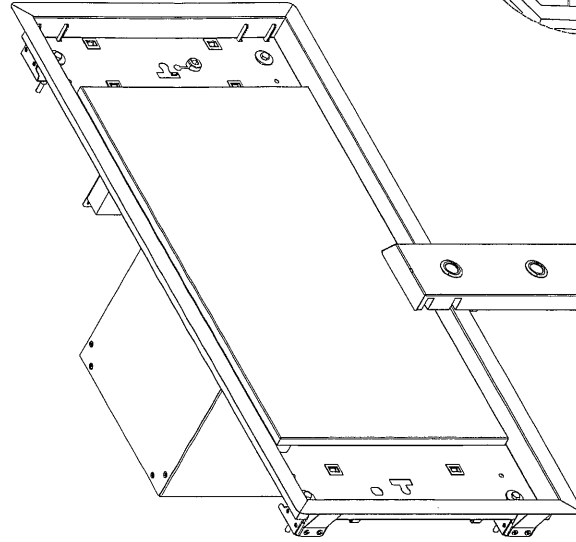
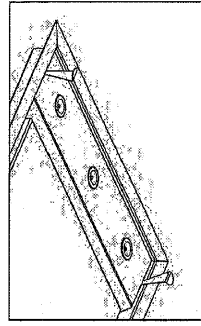
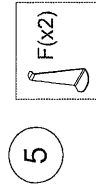
4

EN- Install a proper support, prepared to stand a minimum weight **20 Kg.**
Do not install the hood directly in the drywall or any other non-resistant surface.

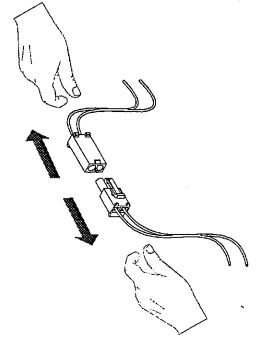


INSTALLATION
OPTION A

A



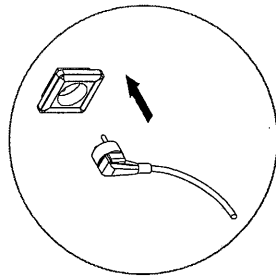
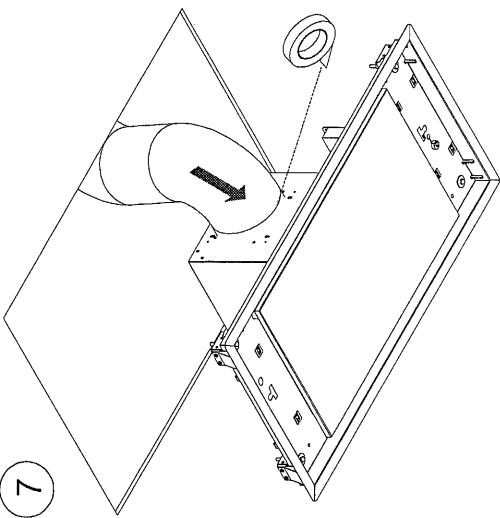
6



INSTALLATION
OPTION A

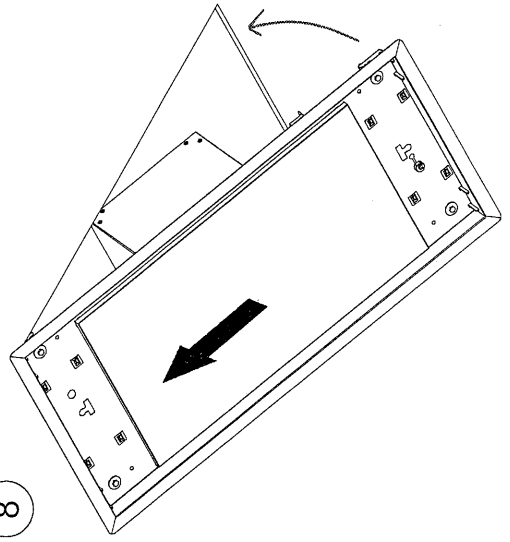
A

7



EN- IMPORTANT: Remember that the hood should not be installed directly in the drywall or any other non-resistant surface.

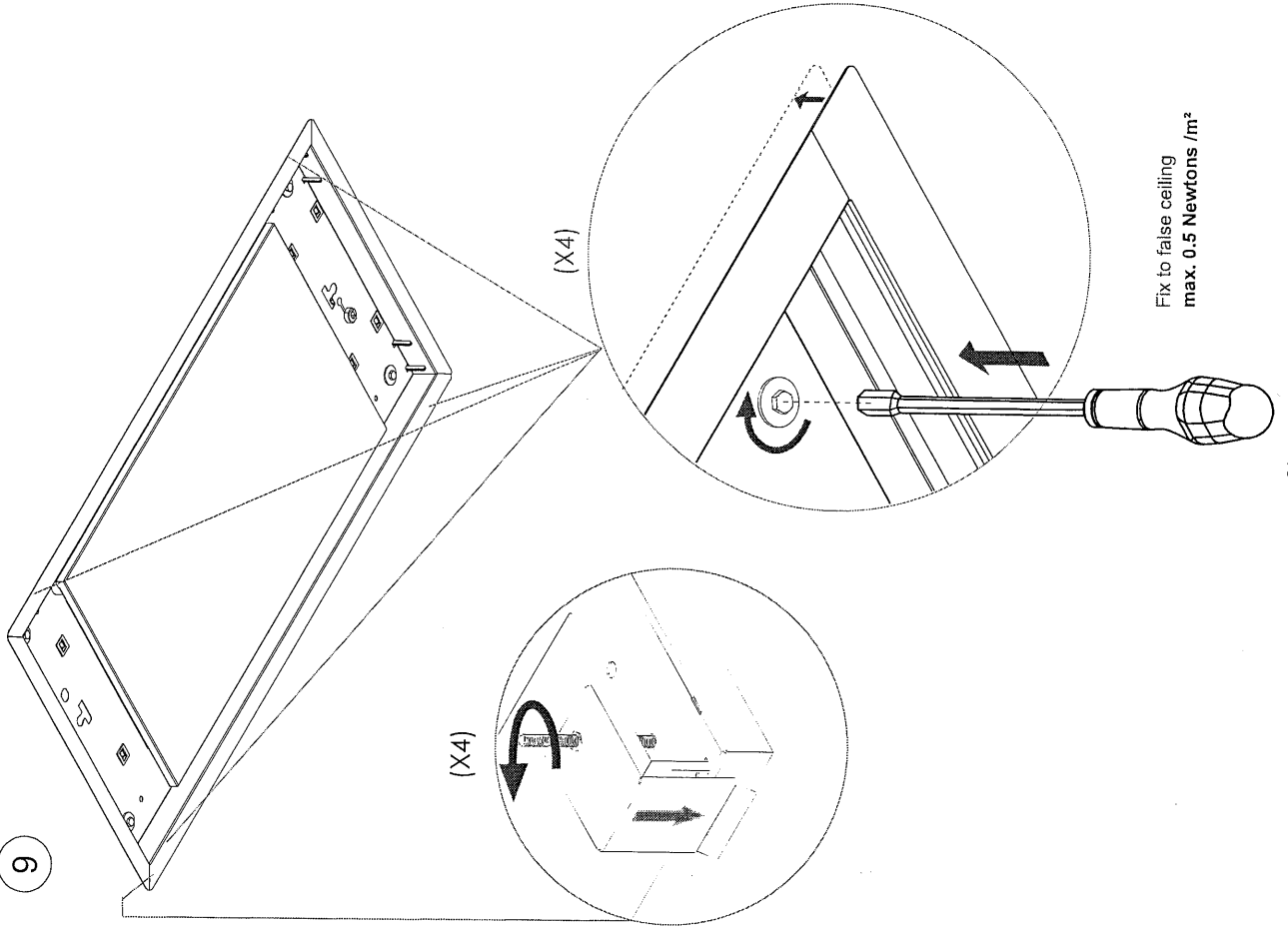
8



INSTALLATION
OPTION A

A

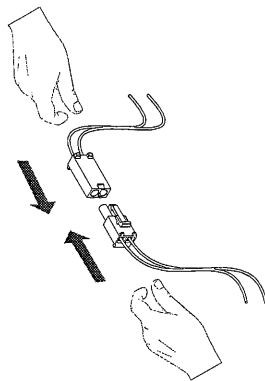
9



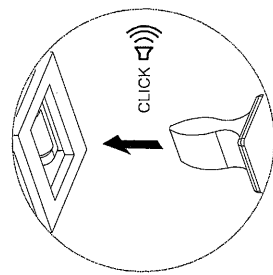
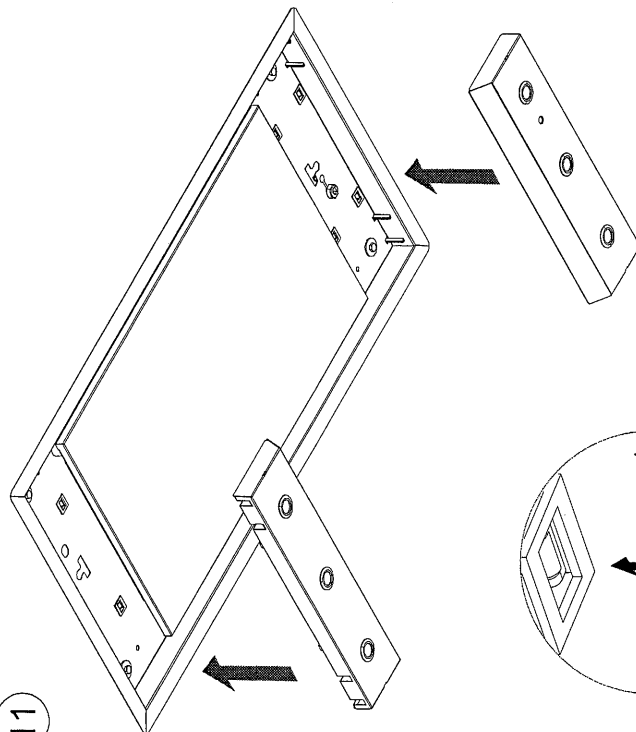
INSTALLATION
OPTION A

A

10



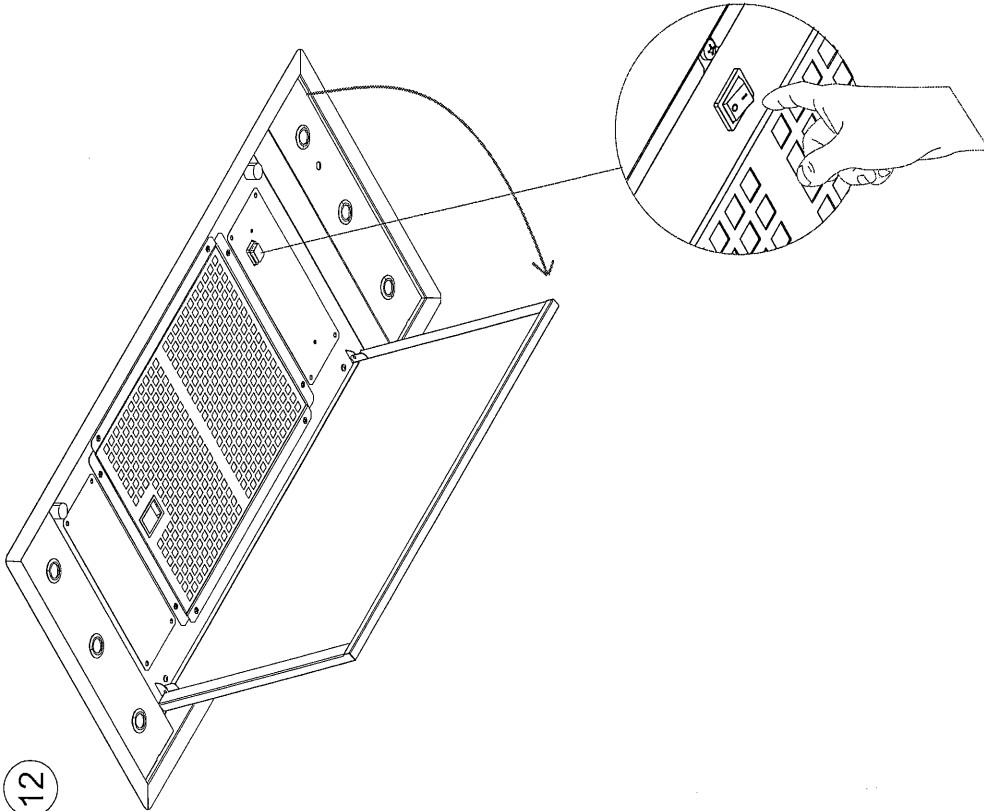
11



INSTALLATION
OPTION A

A

12



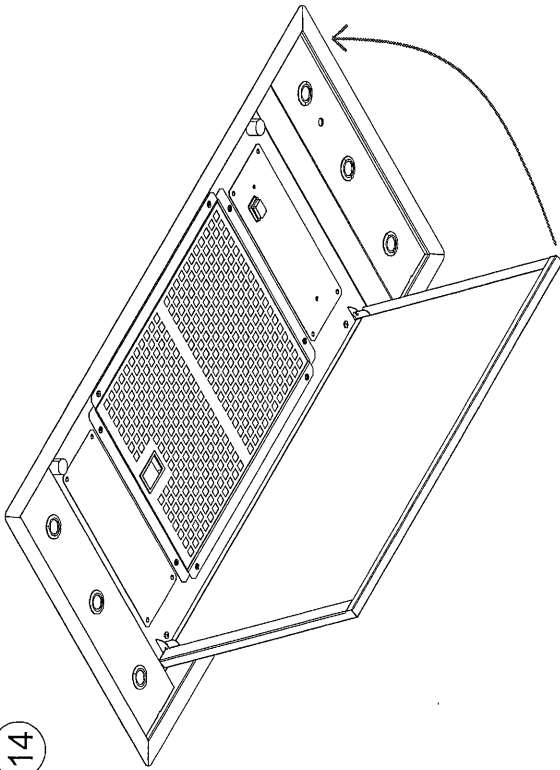
13

EN - FIRST START-UP / SYNCHRONIZATING REMOTE CONTROL p.45

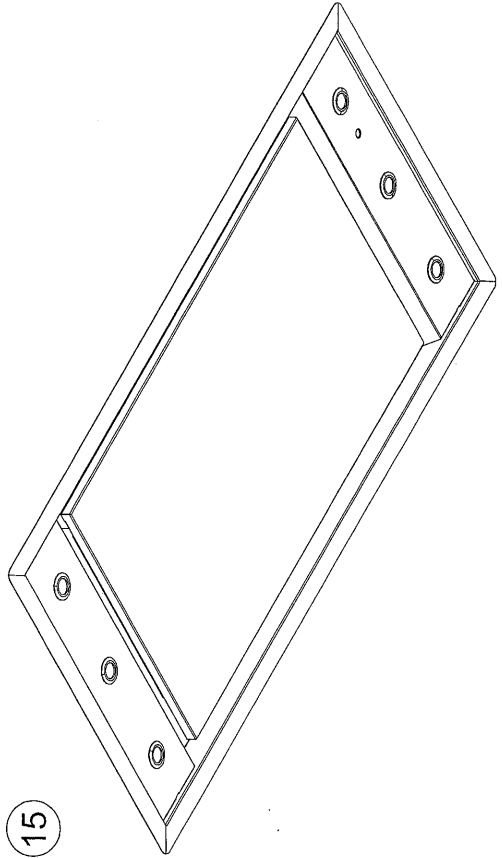
INSTALLATION
OPTION A

14

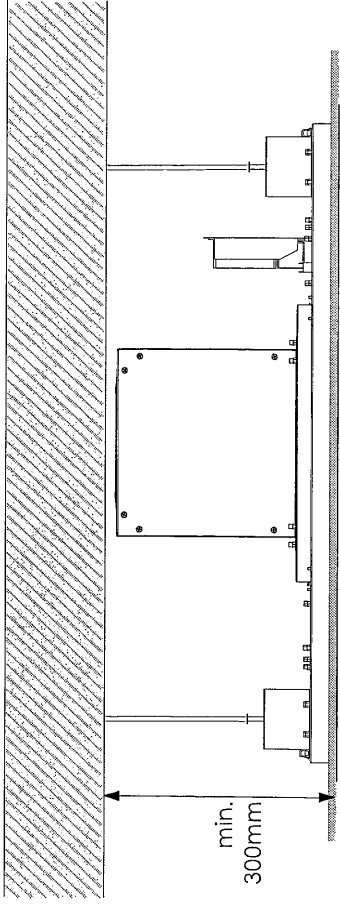
A



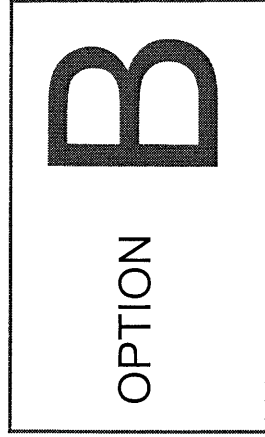
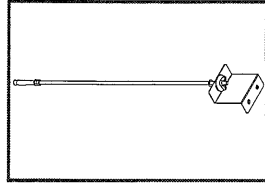
15



INSTALLATION

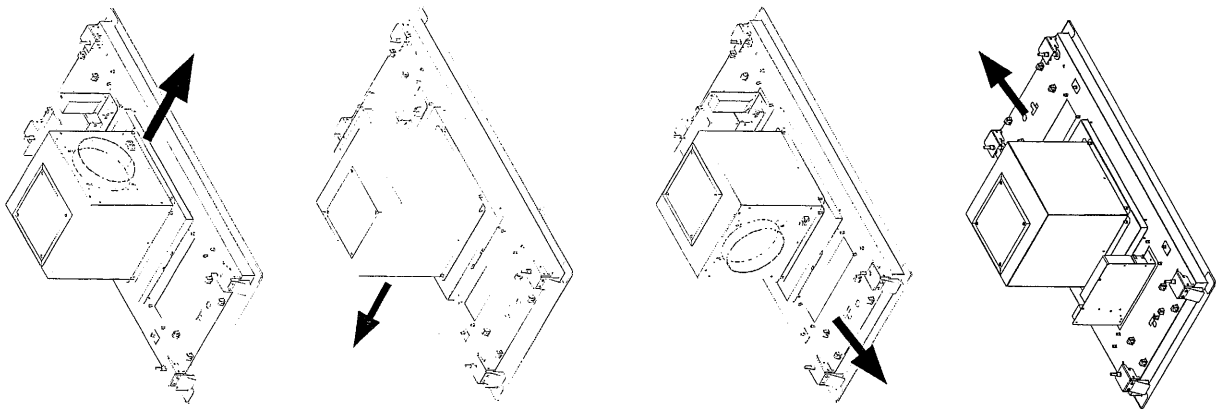


min.
300mm

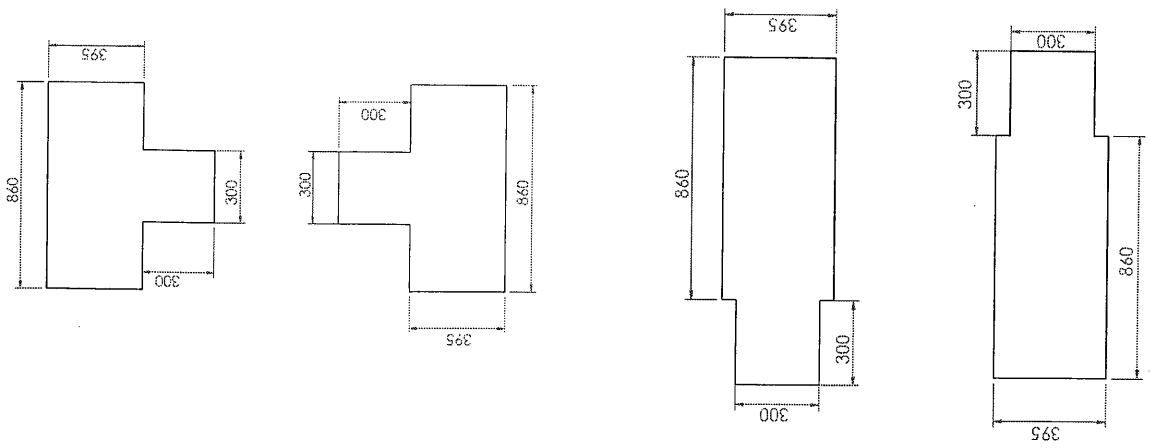


EN-FIXING TO THE FORGE USING THREADED RODS

INSTALLATION
OPTION B
INSERT

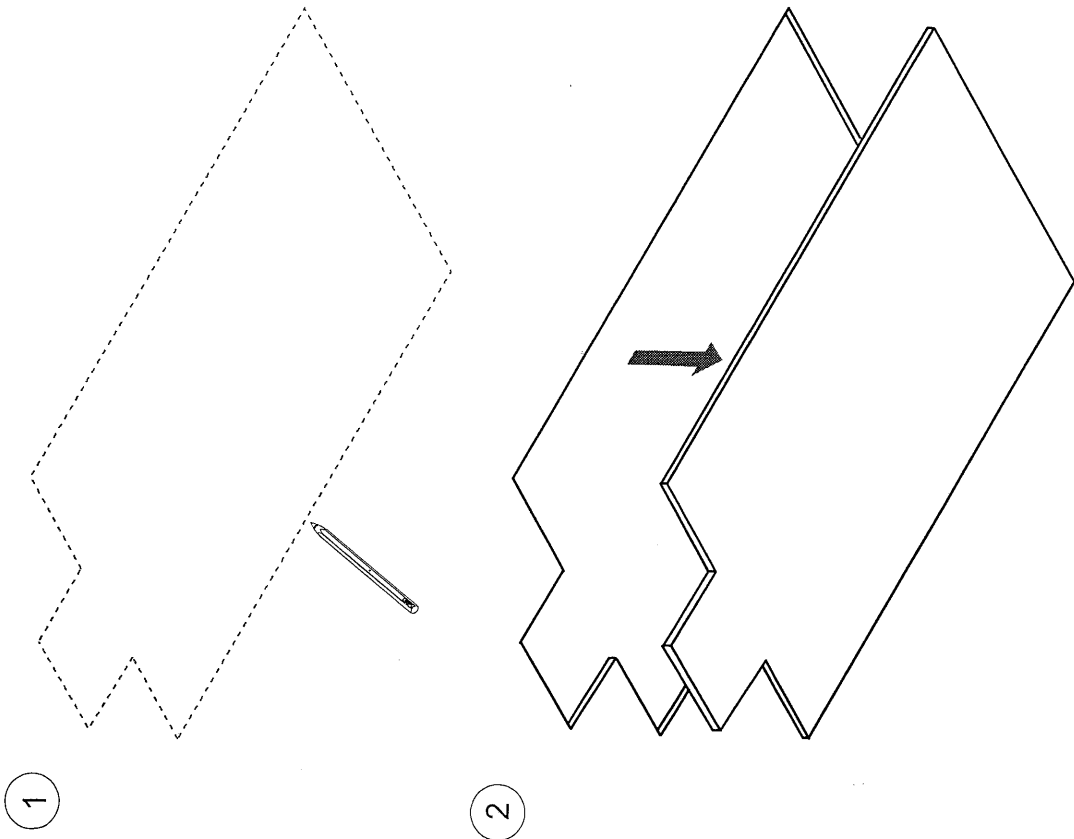


B



INSTALLATION
OPTION B

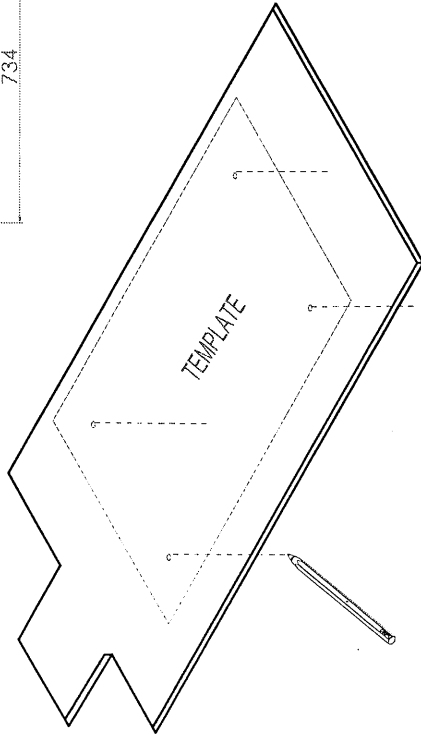
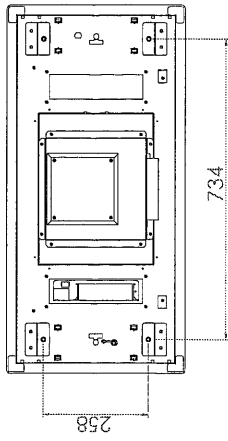
B



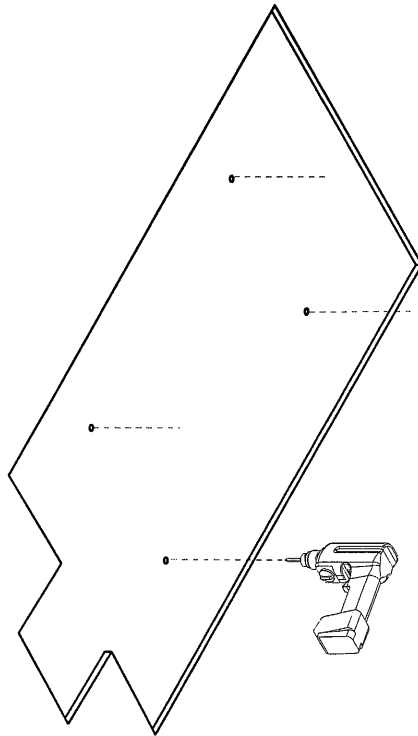
INSTALLATION
OPTION B

B

3



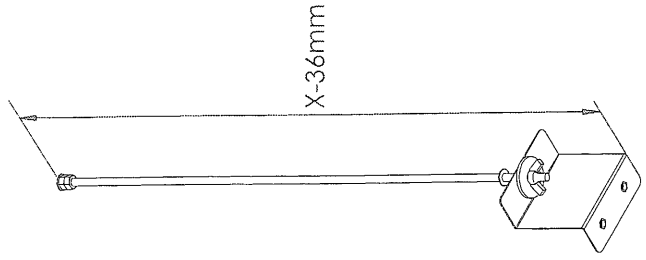
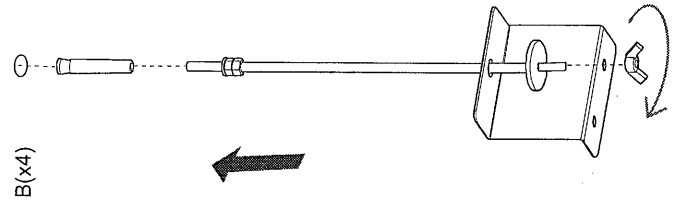
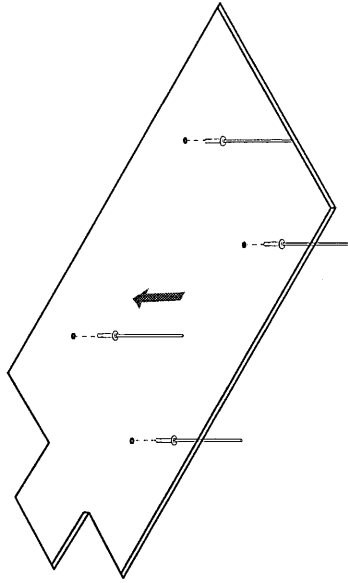
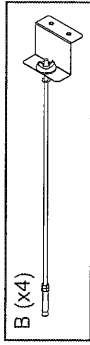
4



INSTALLATION
OPTION B

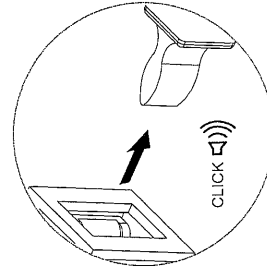
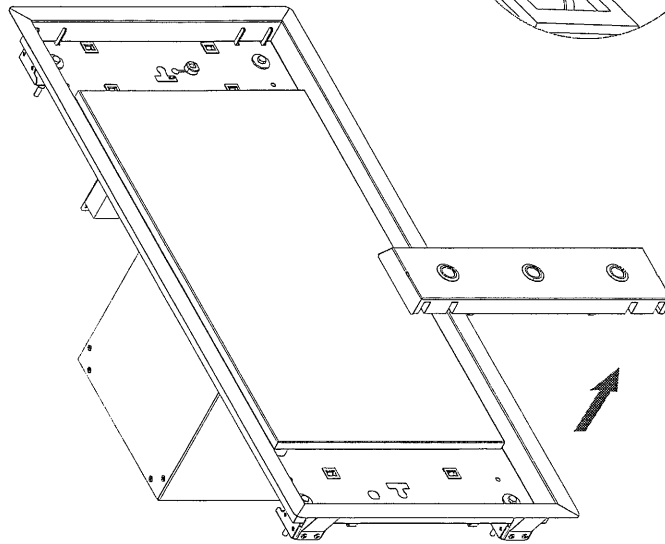
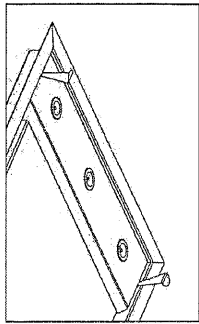
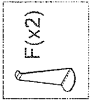
B

5

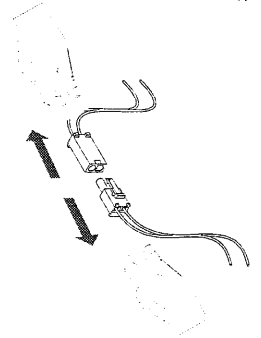


INSTALLATION
OPTION B

6

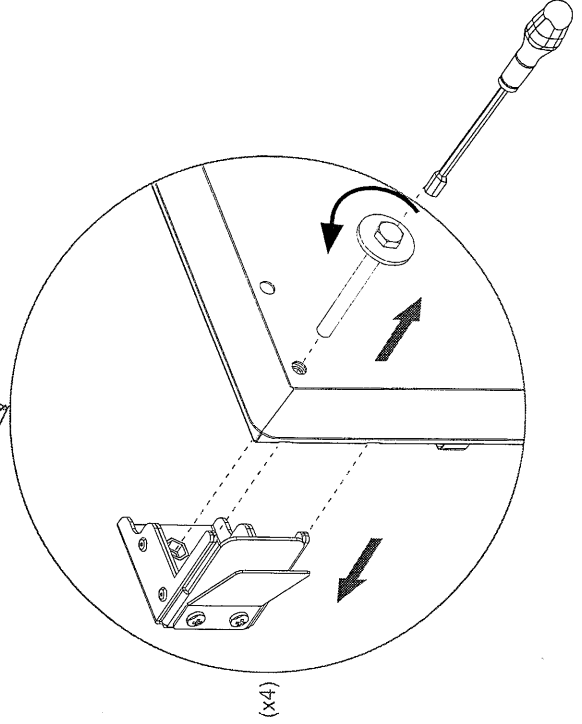
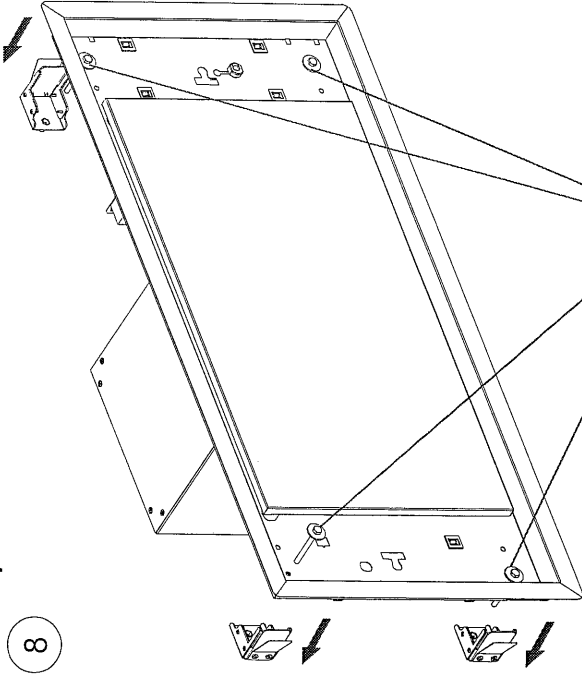


7



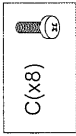
INSTALLATION
OPTION B

8

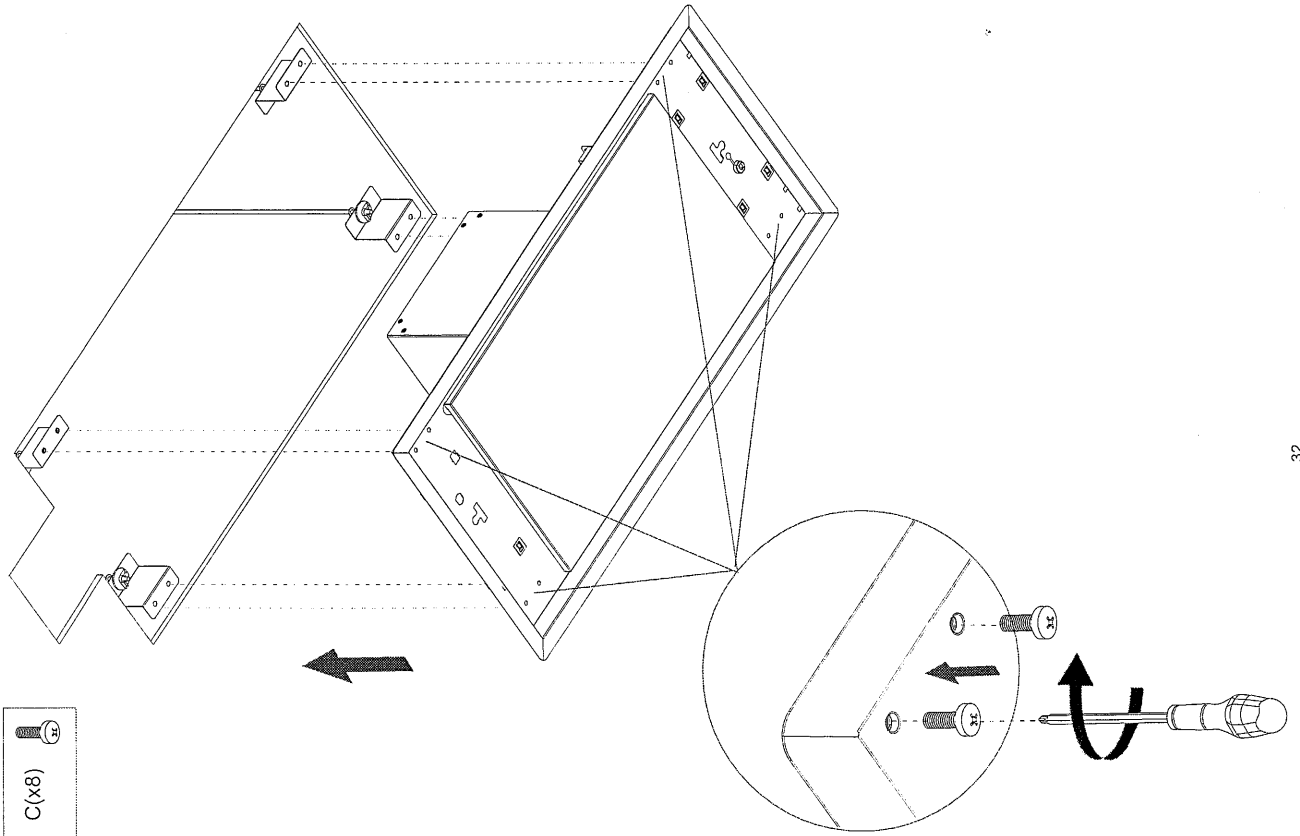


INSTALLATION
OPTION B

9

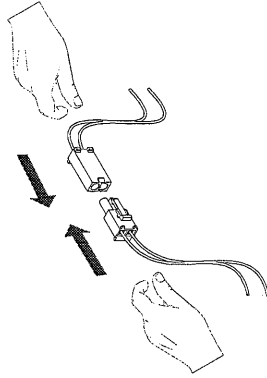


B



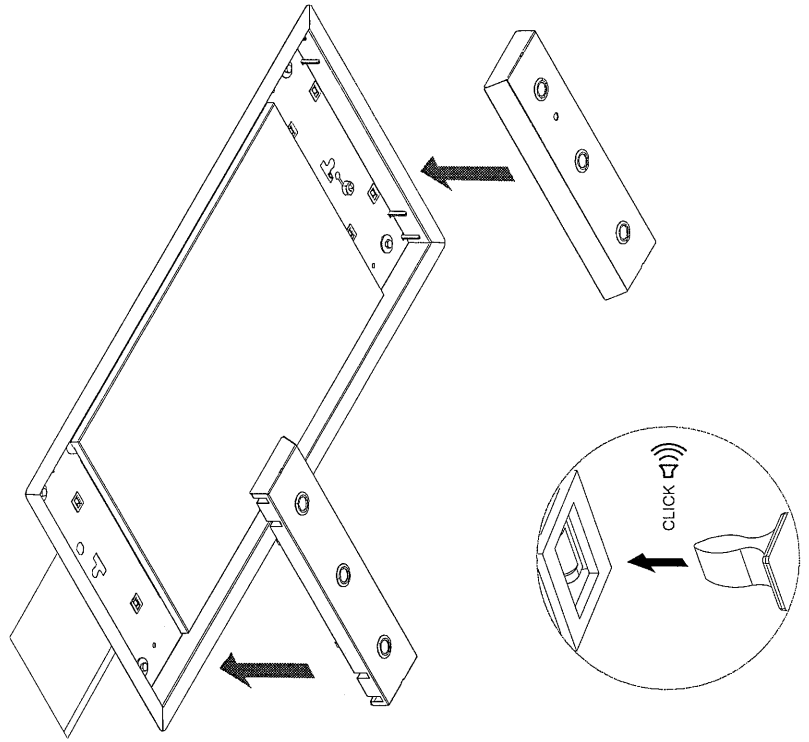
INSTALLATION
OPTION B

10



B

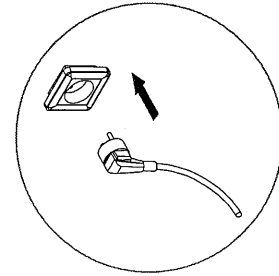
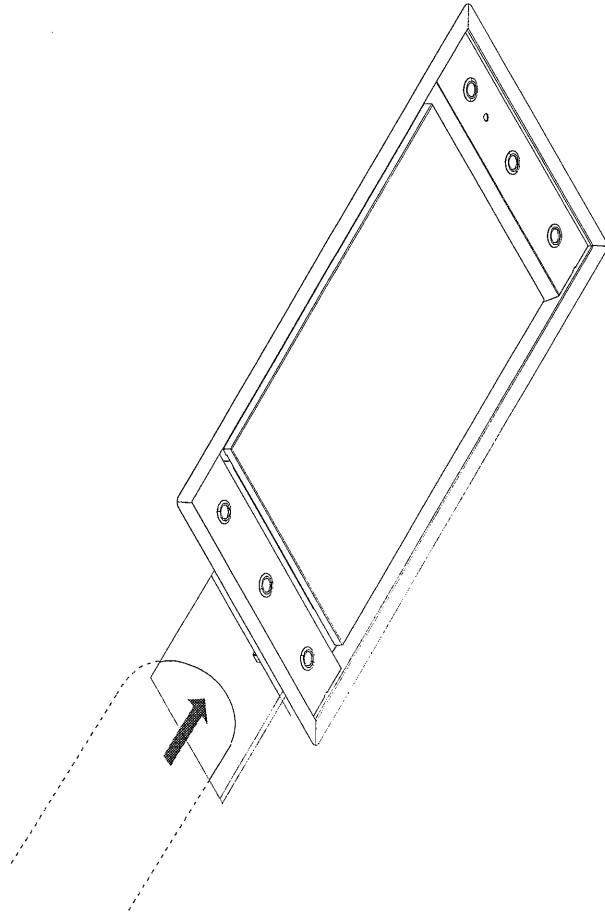
11



INSTALLATION
OPTION B

12

B

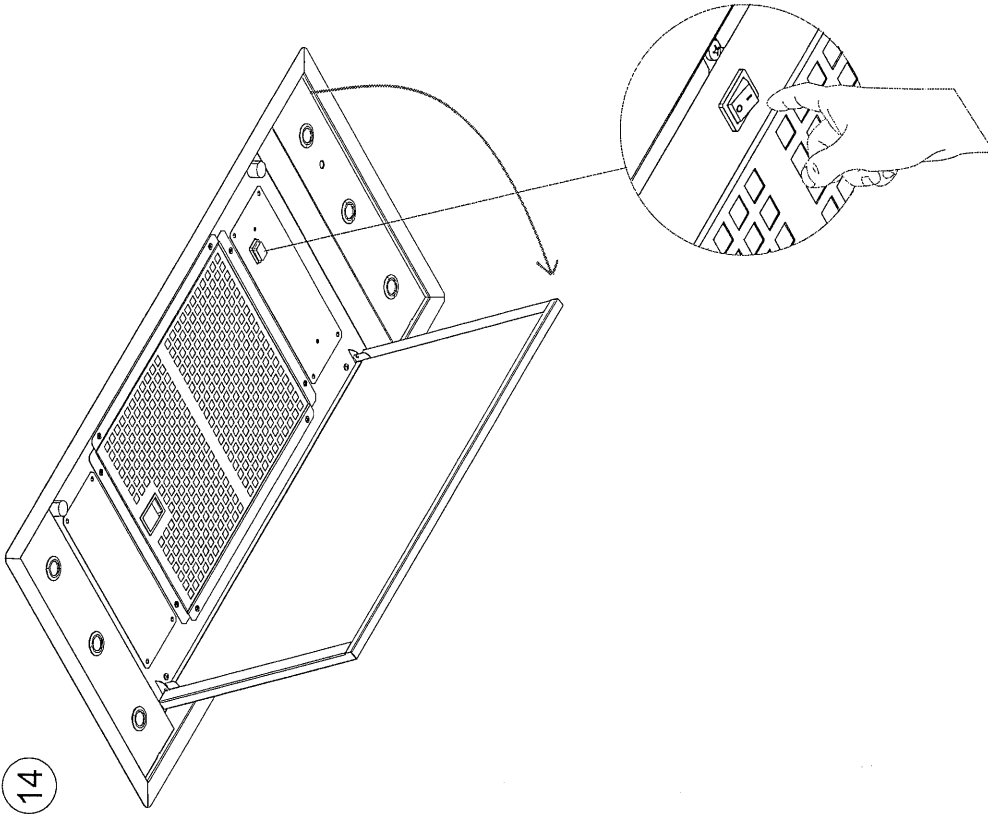


13

INSTALLATION
OPTION B

14

B

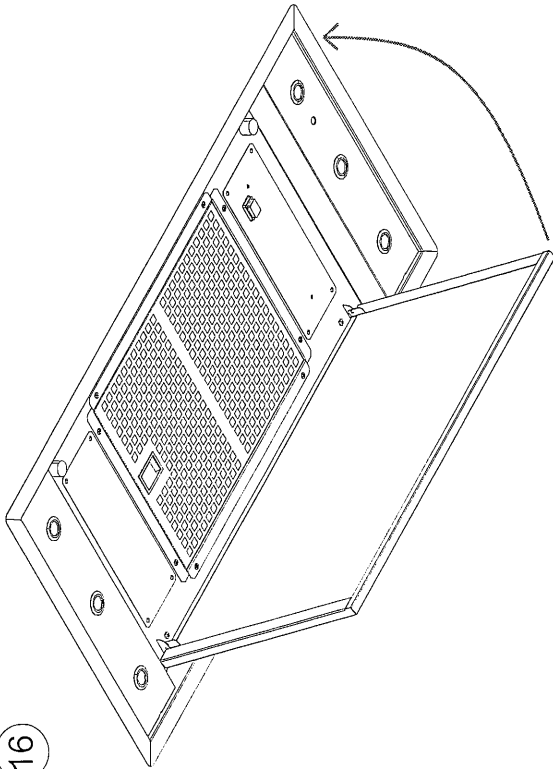


15 EN-FIRST START-UP / SYNCHRONIZATING REMOTE CONTROL p.45

15

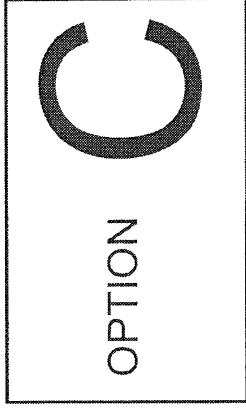
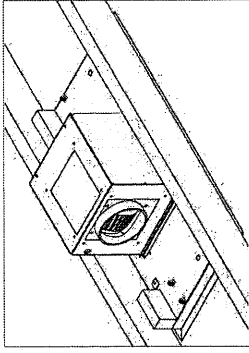
INSTALLATION
OPTION B

16

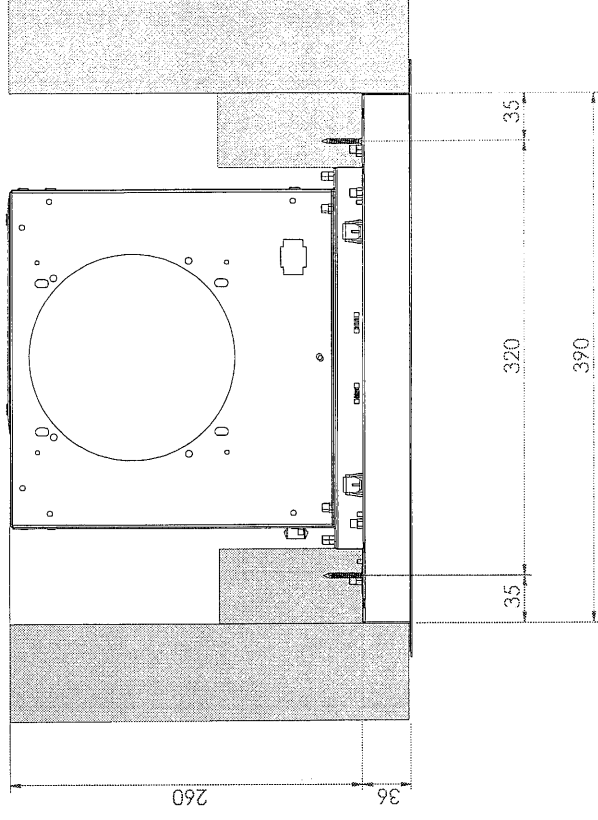


B

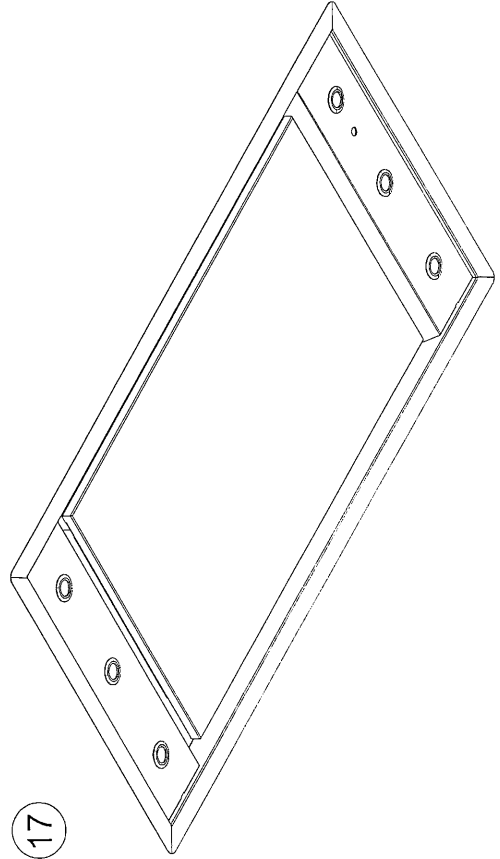
INSTALLATION



EN- AMONG ALIGNED BEAMS

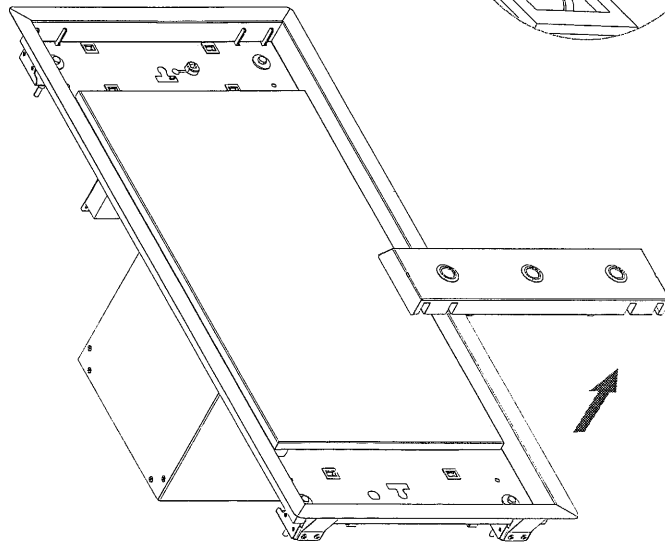
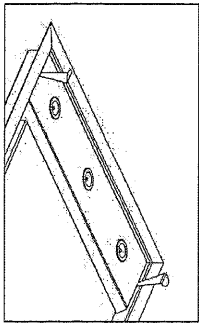
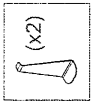


17



INSTALLATION
OPTION C

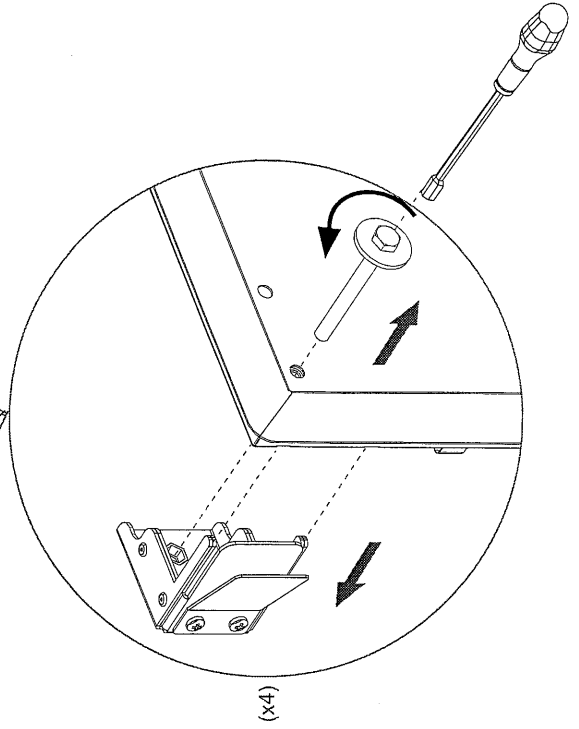
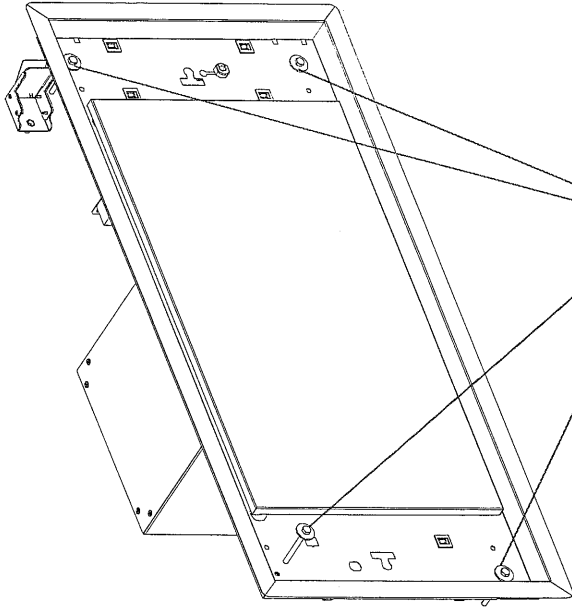
1



C

INSTALLATION
OPTION C

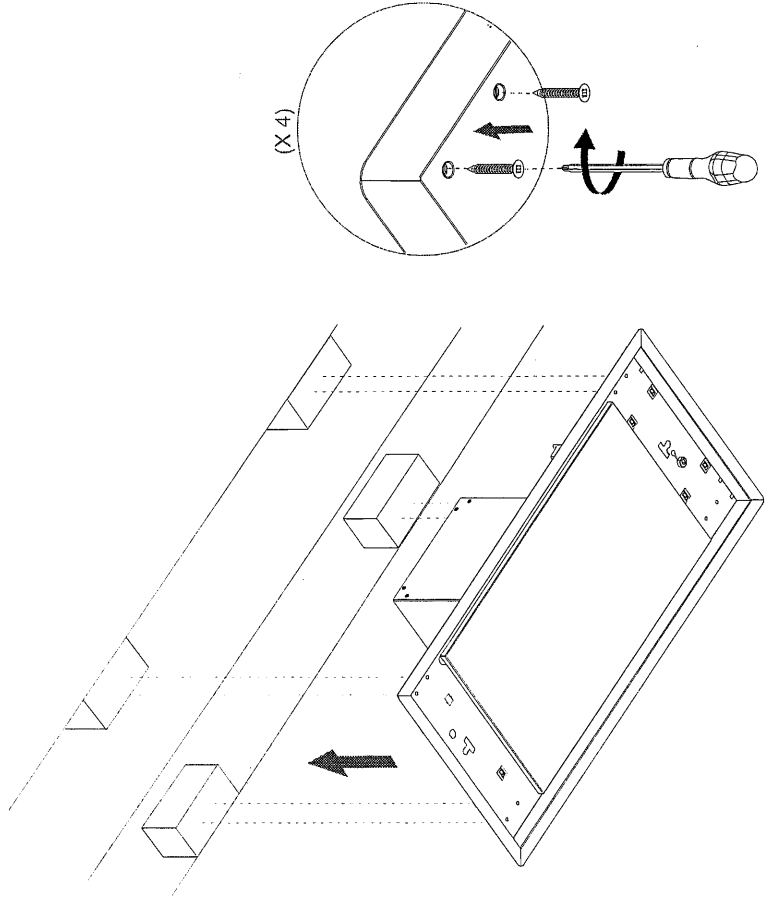
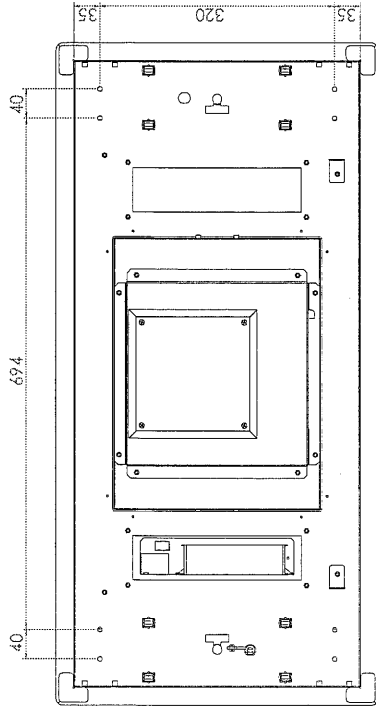
3



INSTALLATION
OPTION C

C

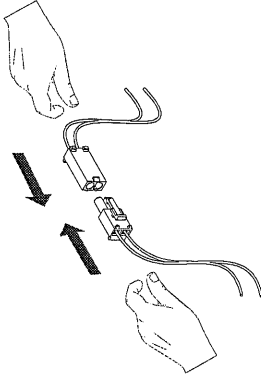
4



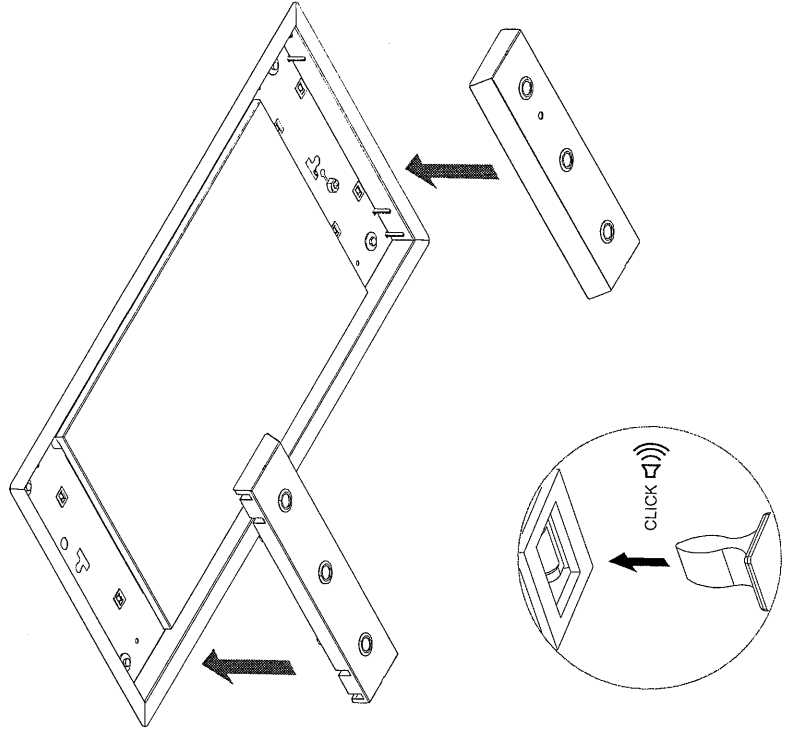
INSTALLATION
OPTION C

C

5



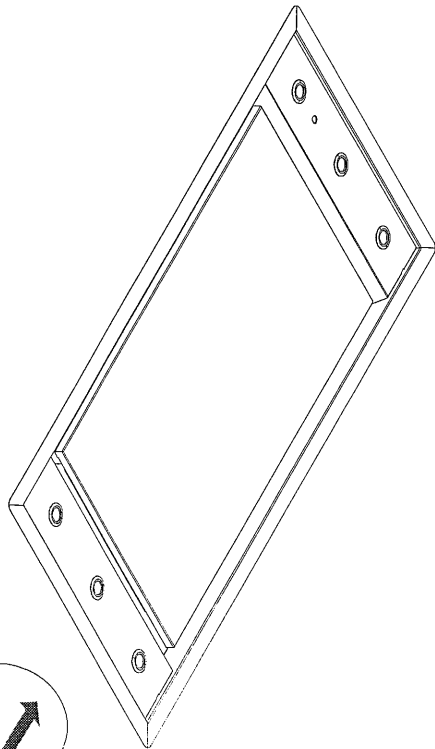
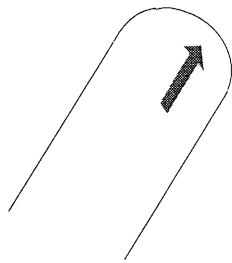
6



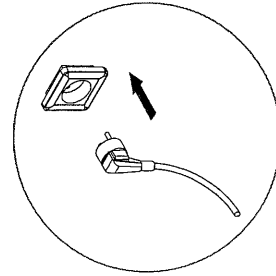
INSTALLATION
OPTION C

7

C



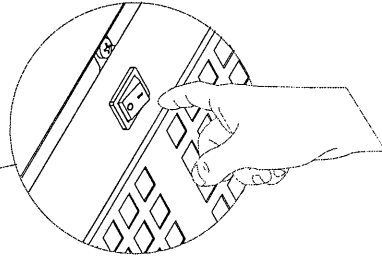
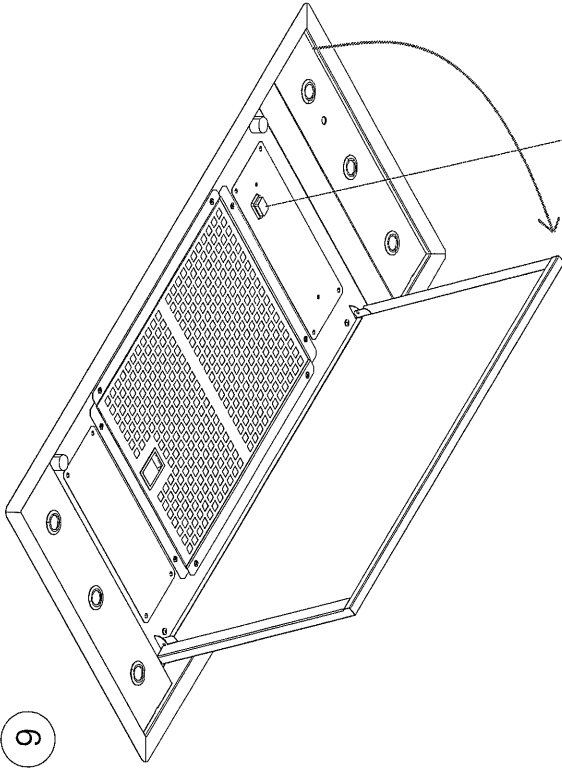
8



INSTALLATION
OPTION C

9

C



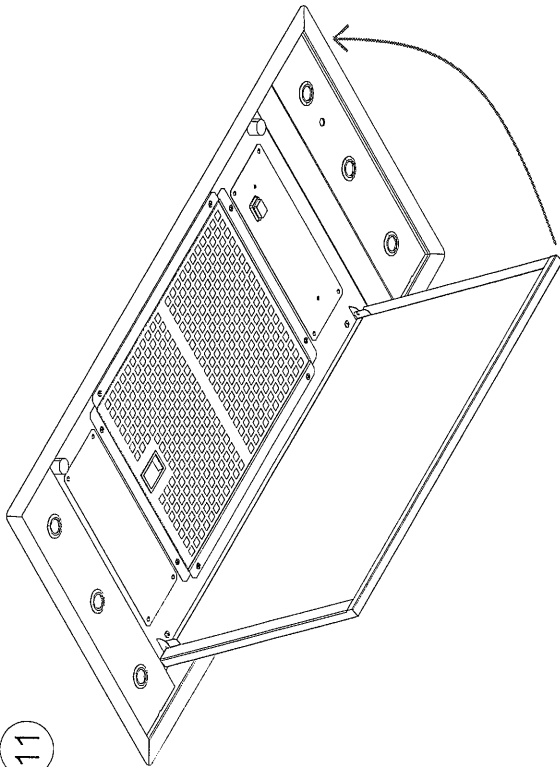
10

EN - THE FIRST IGNITION AND PUTTING IN MARCH / SYNCHRONIZATION REMOTE CONTROL p.45

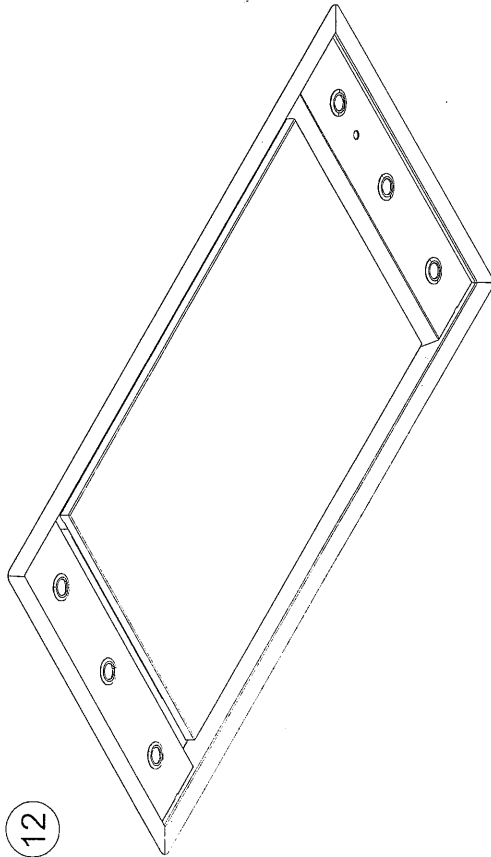
**INSTALLATION
OPTION C**

C

11



12



EN - THE FIRST IGNITION AND PUTTING IN MARCH / SYNCHRONIZATION REMOTE CONTROL

	ON/OFF. Press this symbol to turn on the motor, press again to turn off.
	Press this symbol to reduce the motor speed.
	Press this symbol to increase motor speed. Note: If you have a motor version that exceeds 650m ³ /h, 3rd or 4th speed will be time limited.
	LAST TIME: When the motor is on at any speed, pressing this button will start a 5-minute timer, at the end of which time the motor and lights will switch off. When on, it is possible to adjust the speed to the desired level. This function is indicated on the display by flashing dots. This function offers a visual indicator by flashing the pilot lamp.
	Blue LED that will light up whenever a function is pressed.
	MAIN OR WORKING LIGHT: Press to switch on main lights and press again to switch off. COURTESY OR AMBIENT LIGHT: (Optionally, depending on model and version) Keeping the key pressed for 2 seconds will switch on the courtesy light, and continuing pressing will switch it off again.

A - SYNCHRONIZING THE REMOTE CONTROL (* only if necessary, it is already synchronized):

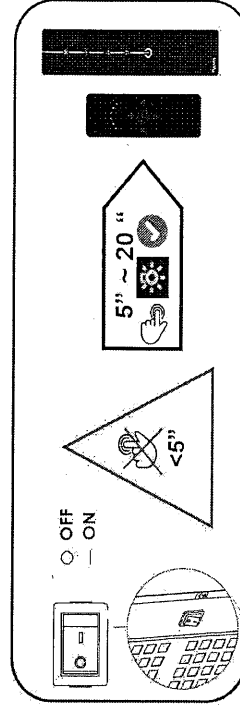
1. Connect the hood to the mains or turn on the hood switch, optional under filters or panel.
2. **ATTENTION!** once step 2 is completed, when connecting the hood to the electricity:



**DO NOT TOUCH ANY COMMAND KEY
UNTIL AFTER 5 SECONDS**



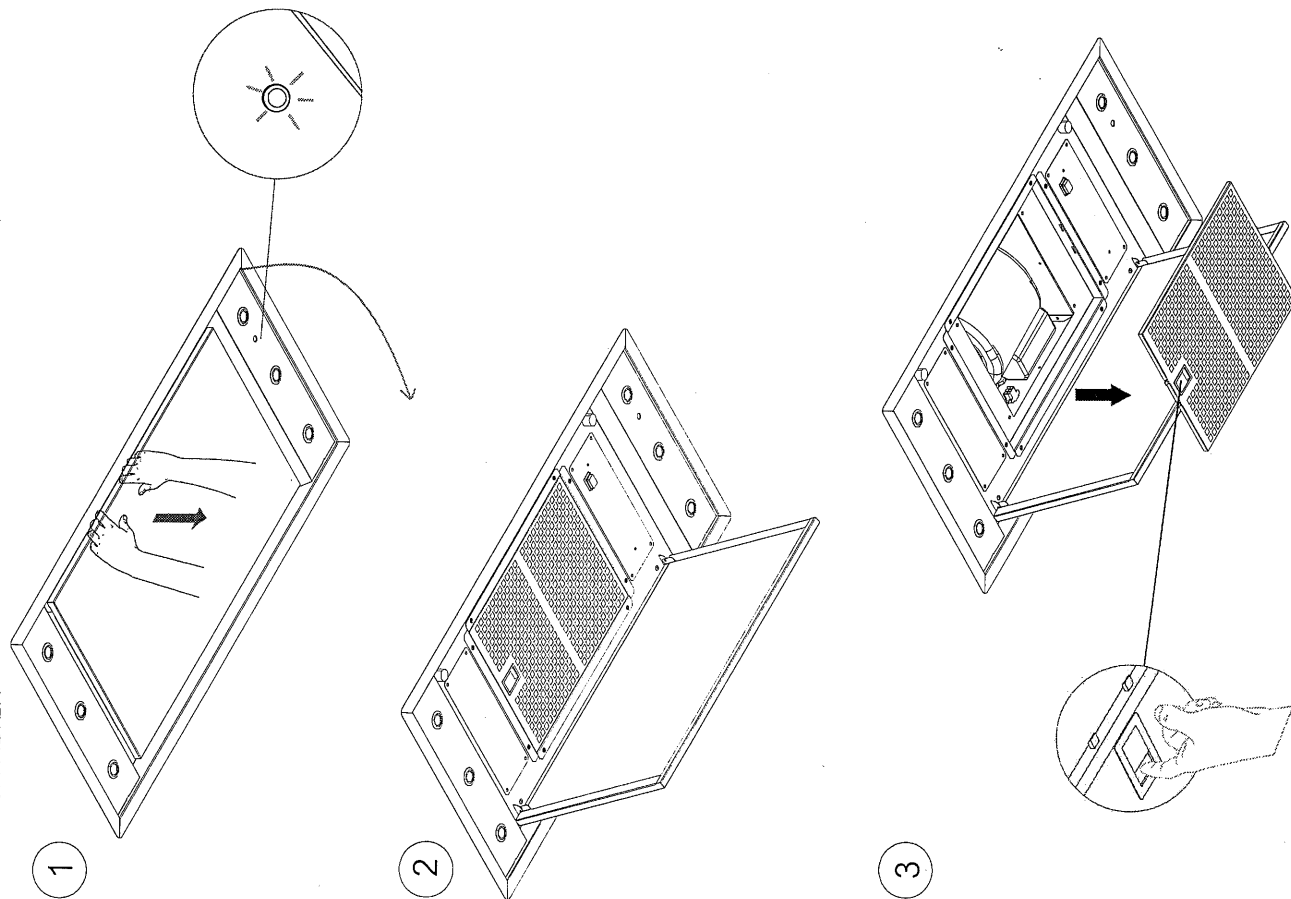
3. After the first 5 seconds, in the interval time between 5 and 20 seconds, with the remote control facing the hood, press or hold the **LIGHT** button on the remote control, and the lights on the hood will light up, confirming that the process has been successfully performed.



If it takes more than 20 seconds to synchronize the control, the hood switchboard closes the reception and does not record any code, you must repeat the process, making sure to press the key between 5 "and 20".

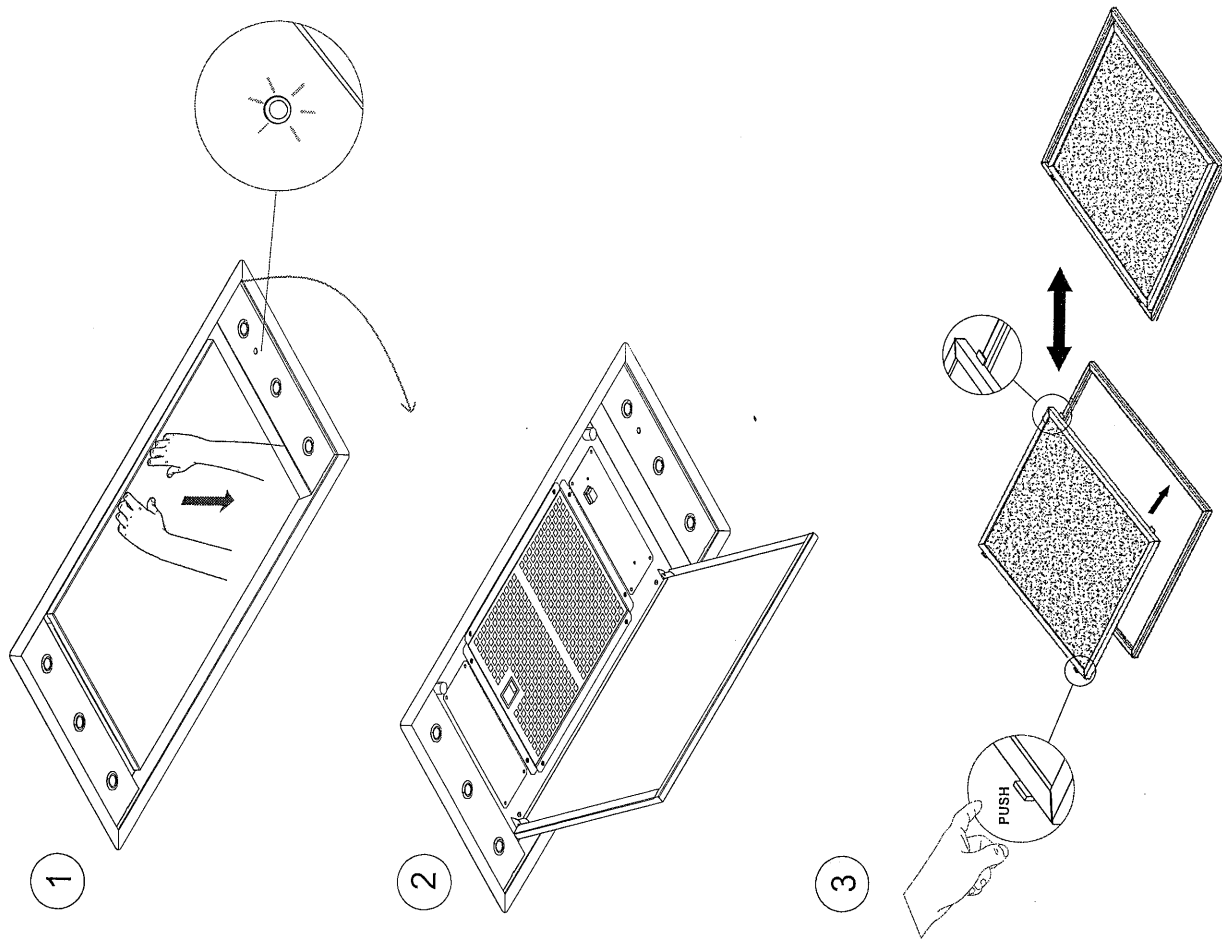
MAINTENANCE

ALUMINIUM FILTER



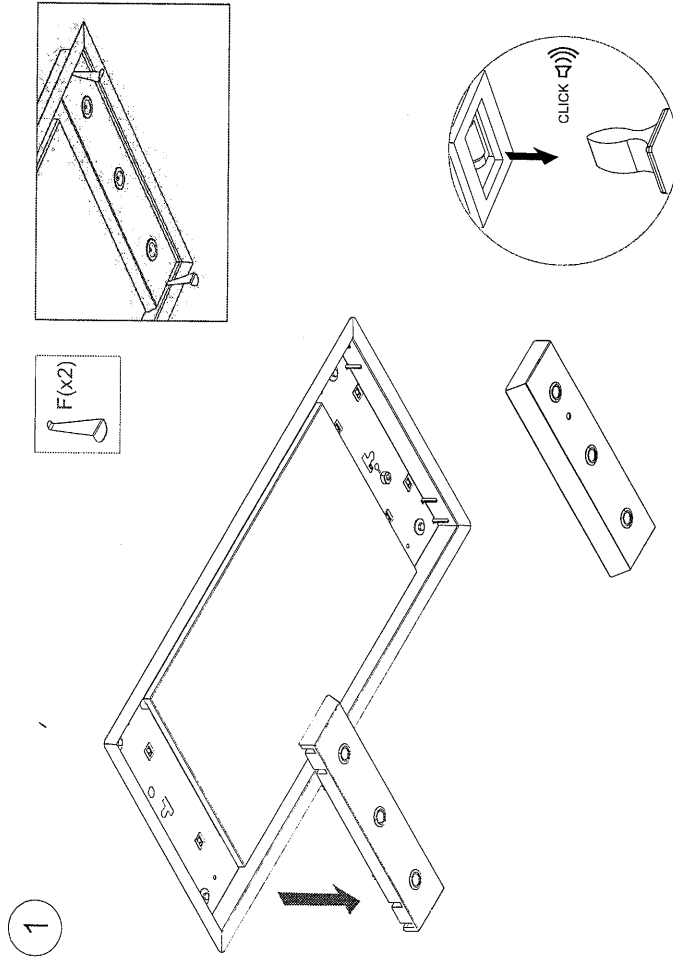
MAINTENANCE

ACTIVATED CARBON FILTER (FCLR), WASHABLE AND REACTIVATABLE HIGH EFFICIENCY. (OPTIONAL)



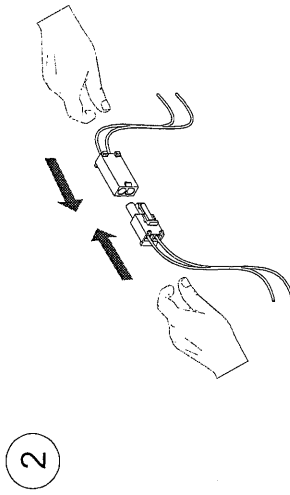
MAINTENANCE
LED LIGHTING AND FEATURES

ATTENTION!
LED type lights involve a complex manipulation in addition to an air connection involving an internal connector risk of electric shock, therefore this type of handling must be done by the Award official technical service or a qualified and authorized professional. The manufacturer will not be liable for any damage caused by mishandling of the LED lights by unauthorized personnel.



1

MAINTENANCE
LED LIGHTING AND FEATURES



2

RG2 UNE EN 62471
-Do not stare into the light beam,
according to RG2.//RG2, Minimum
distance 0.2m.

LED 1.2 W
12VDC
350 Ma.

3

